

PARTS CATALOGUE

SXV70ERG (8FB1) U.S.A., CANADA
SXV70ERG (8FB2) EUROPE

SXV70ERG
PARTS CATALOGUE
©2001 by Yamaha Motor Co., Ltd.
1st Edition, June 2001
All rights reserved.
Any reprinting or unauthorized use
without the written permission of
Yamaha Motor Co., Ltd.
is expressly prohibited.

A3



A4

FOREWORD

This Parts Catalogue is related to the parts for the model(s) in the below frame. When you are ordering replacement parts, please refer to this Parts Catalogue and quote both part numbers and part names correctly.

SXV70ERG(8FB1/8FB2)

1. Modifications or additions which have been made after issue of the Parts Catalogue will be announced in the Yamaha Parts News.
It is advisable that you make necessary corrections to the Parts Catalogue according to the Yamaha Parts News.

2. Abbreviations

The following abbreviations are used in this Parts Catalogue.

- "UR" Use specified parts number.
- "UN" Use as many as needed.
- "AP" Alternate Parts
- "LM" Local Made (Parts need to be ordered locally)
- "F#" Frame No. (Applicable machine No.)

3. Parts, which are to be supplied in an assembly, are listed with a dot(.) in front of the part name as shown below.

EXAMPLE

CARBURETOR ASSY
.JET, PILOT
.NOZZLE, MAIN

4. Number of component for assembly

The numeral appearing to the right of each component part indicates the quantity of parts for each assembly unit.

EXAMPLE

PART NO.	DESCRIPTION	Q'TY	REMARKS
2F5-83310-60	FRONT FLASHER LIGHT ASSY	2	
115-83311-60	.BULB (6V-18W)	1	

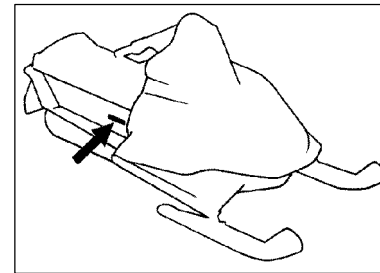
5. Applicable colors of graphics are represented in the "REMARKS" as shown below.

PART NO.	DESCRIPTION	Q'TY	REMARKS
2F5-83310-60	FRONT FLASHER LIGHT ASSY	2	
115-83311-60	.BULB (6V-18W)	1	

6. Applicable Starting Serial No. and Color Code

Starting Serial NO.:	JYE8FB0092A000664
Starting Serial NO.:	JYE8FB0052A001004

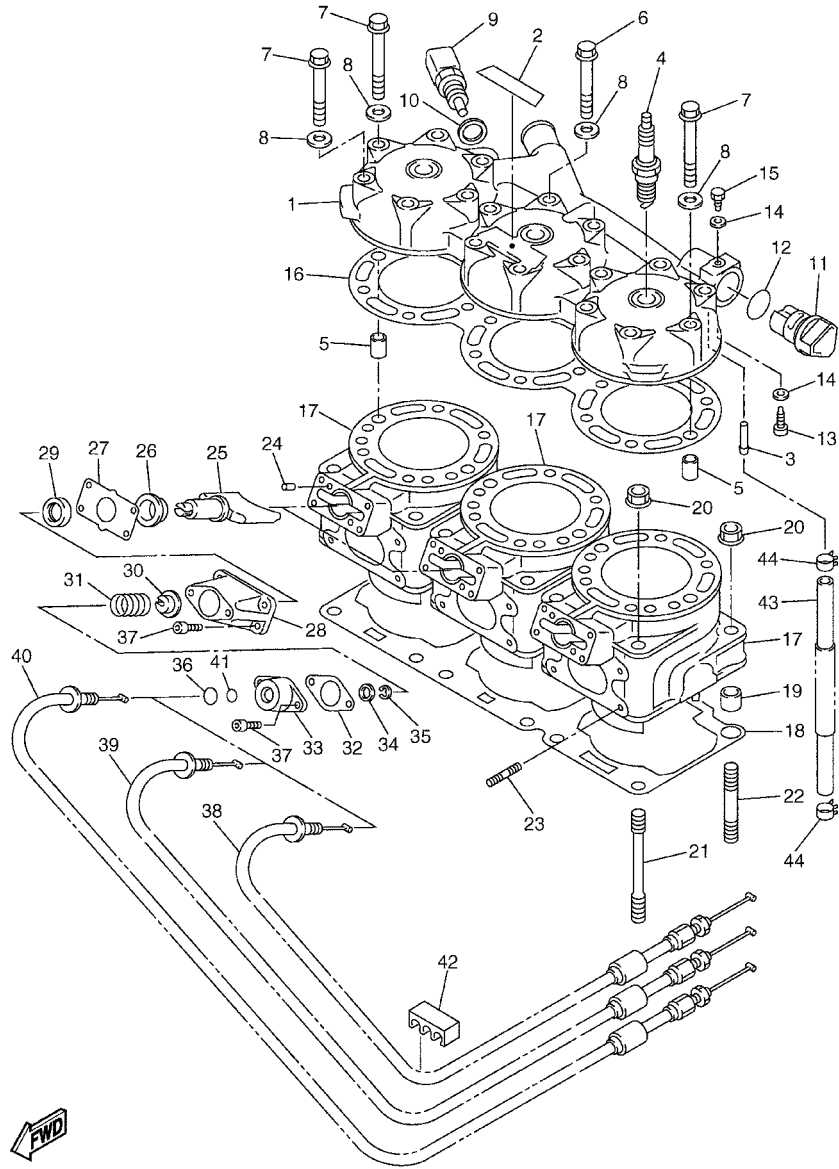
Frame Serial No.



Color Code	MODEL	Color Name	Abbreviation	Country (destination)
00EY	8FB1	HEAT RED	HTR	USA, CAN
00EY	8FB2	HEAT RED	HTR	EUR

7. Note that the illustration for reference in funding parts numbers, not to be used for assembling. When assembling, please use the applicable service manual.
8. The asterisk (*) before a reference number indicates modification items after the first edition.

FIG. 1 CYLINDER HEAD




8EK1100-2010

REF. NO.	PART NO.	DESCRIPTION	8FB1	8FB2	REMARKS
1	8EK-11111-00	HEAD, CYLINDER 1	1	1	
2	8EK-1111K-00	EMBLEM	1	1	
3	26H-12584-00	JOINT, HOSE 3	1	1	
4	94702-00188	PLUG, SPARK (NGK BR9ES)	3	3	
5	99530-10114	PIN, DOWEL	2	2	
6	90105-08044	BOLT, FLANGE	12	12	
7	90105-08043	BOLT, FLANGE	6	6	
8	90201-084H7	WASHER, PLATE	18	18	
9	8CC-85790-01	THERMOSENSOR ASSY	1	1	
10	90201-12790	WASHER, PLATE	1	1	
11	8DF-12478-00	COCK, DRAIN	1	1	
12	93210-19123	O-RING	1	1	
13	90109-063E8	BOLT	1	1	
14	90210-06006	WASHER, SEAL	2	2	
15	90109-06418	BOLT	1	1	
16	8EK-11181-00	GASKET, CYLINDER HEAD 1	1	1	
17	8EK-11311-00	CYLINDER 1	3	3	
18	8EK-11351-00	GASKET, CYLINDER	1	1	
19	99530-14016	PIN, DOWEL	6	6	
20	95707-10500	NUT, FLANGE	12	12	
21	90116-10411	BOLT, STUD	6	6	
22	90116-10506	BOLT, STUD	6	6	
23	90116-06031	BOLT, STUD	12	12	
24	93604-08071	PIN, DOWEL	6	6	
25	8EK-1131A-00	VALVE 1	3	3	
26	8EK-1131E-00	HOLDER 1	3	3	
27	8DF-11354-02	GASKET	3	3	

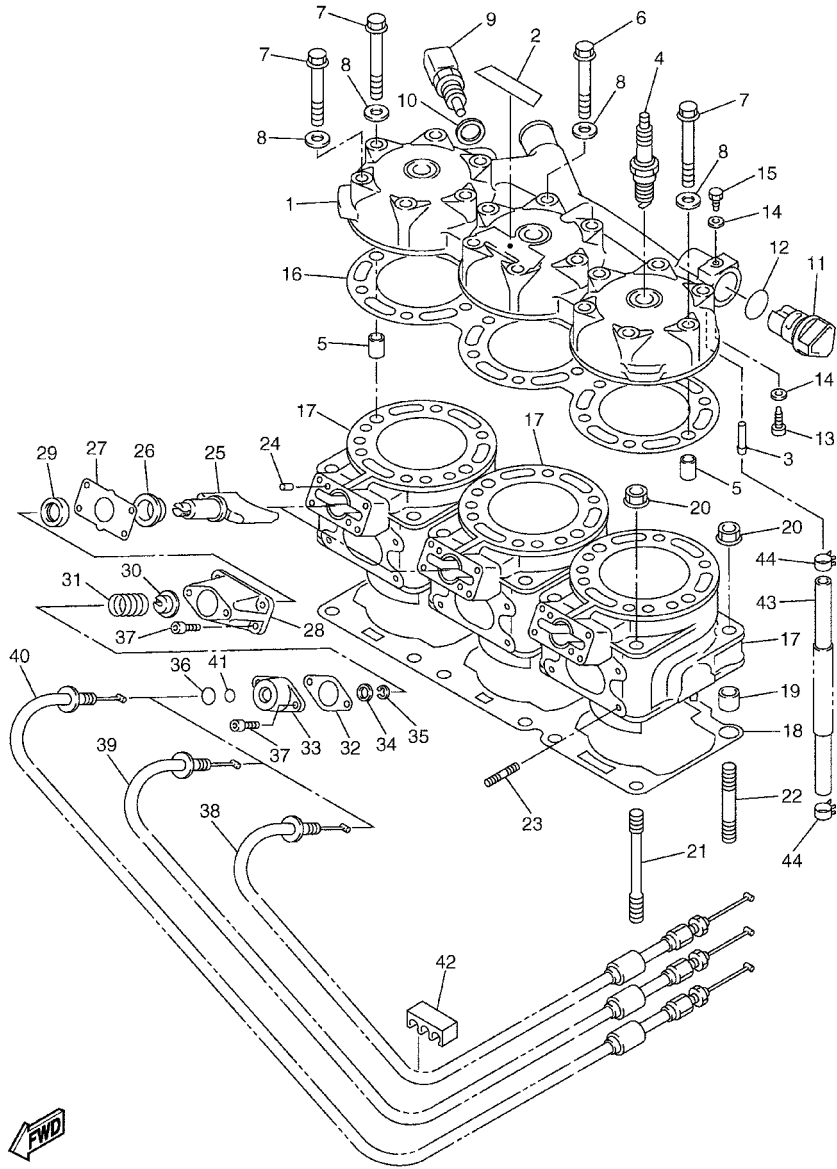


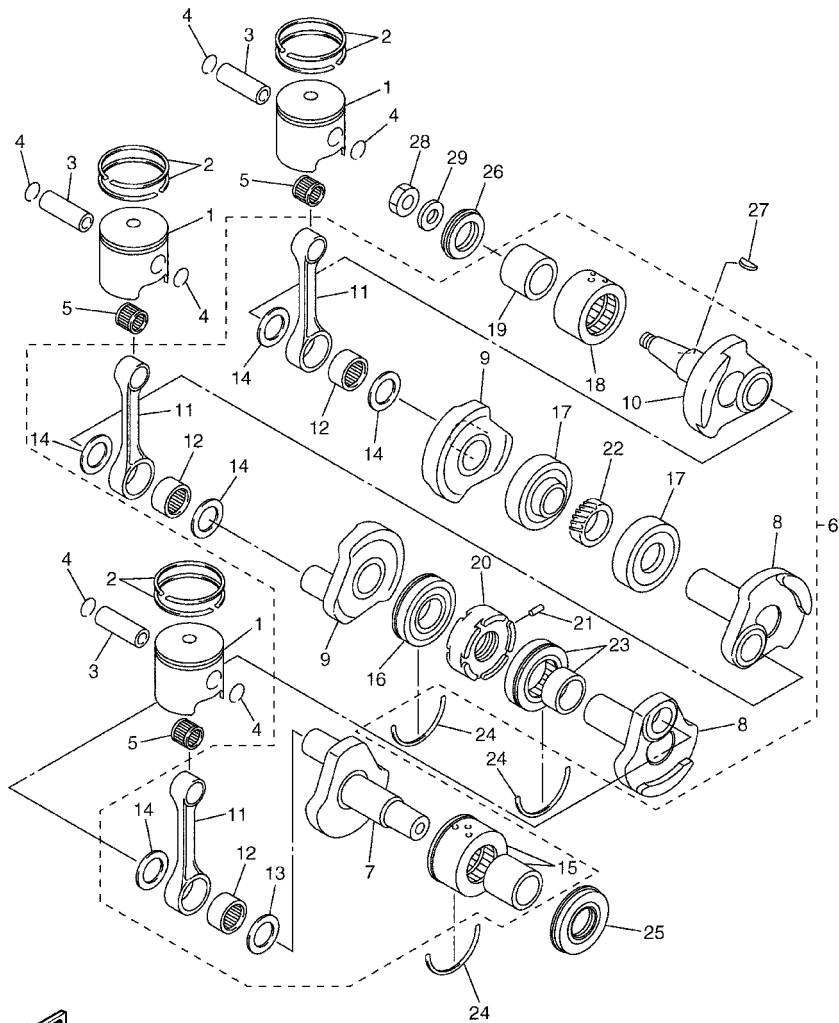
FIG. 1 CYLINDER HEAD

REF. NO.	PART NO.	DESCRIPTION	8FB1	8FB2	REMARKS
28	8DF-1131F-01	HOLDER 2	3	3	
29	93109-15074	OIL SEAL	3	3	
30	8DF-11317-00	SEAT, SPRING	3	3	
31	90501-120L7	SPRING, COMPRESSION	3	3	
32	8DF-11397-10	GASKET	3	3	
33	8DF-1131U-01	HOLDER 3	3	3	
34	90201-092U3	WASHER, PLATE	3	3	
35	99001-06600	CIRCLIP	3	3	
36	93210-09165	O-RING	3	3	
37	91317-05016	BOLT	18	18	
38	8EK-1133E-00	CABLE, PULLEY 1	1	1	
39	8EK-1133F-00	CABLE, PULLEY 2	1	1	
40	8EK-1133G-00	CABLE, PULLEY 3	1	1	
41	93210-06632	O-RING	3	3	
42	90464-06253	CLAMP	1	1	
43	8EK-1248A-00	PIPE8	1	1	
44	90467-11090	CLIP	2	2	



8EK1100-2010

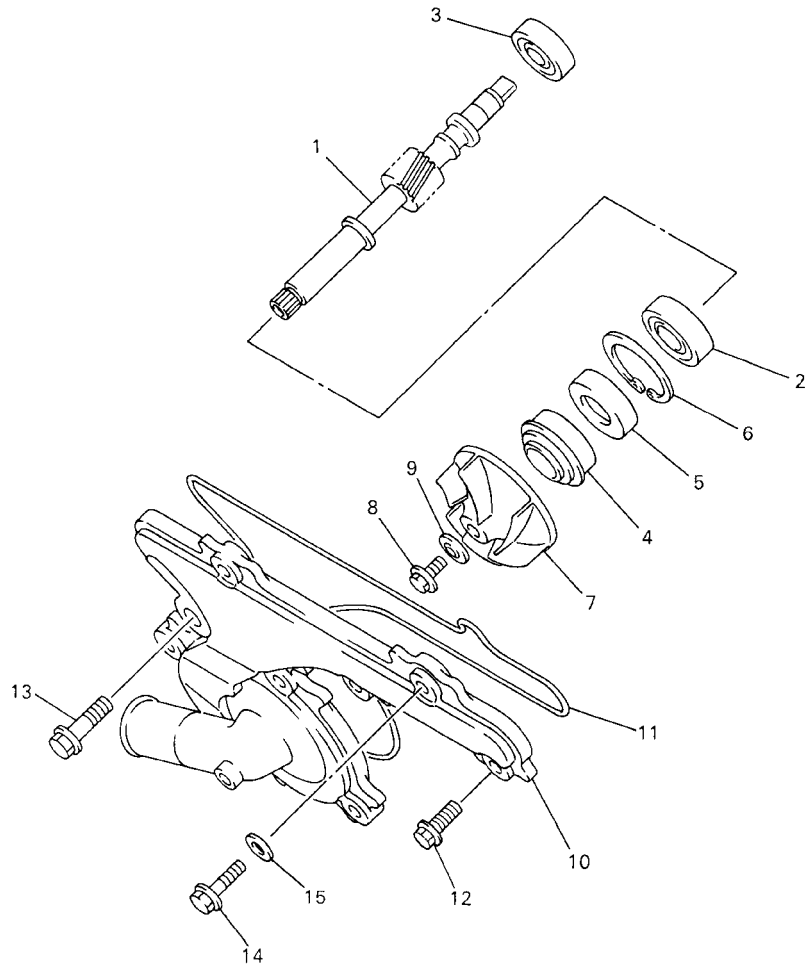
FIG. 2 CRANKSHAFT. PISTON



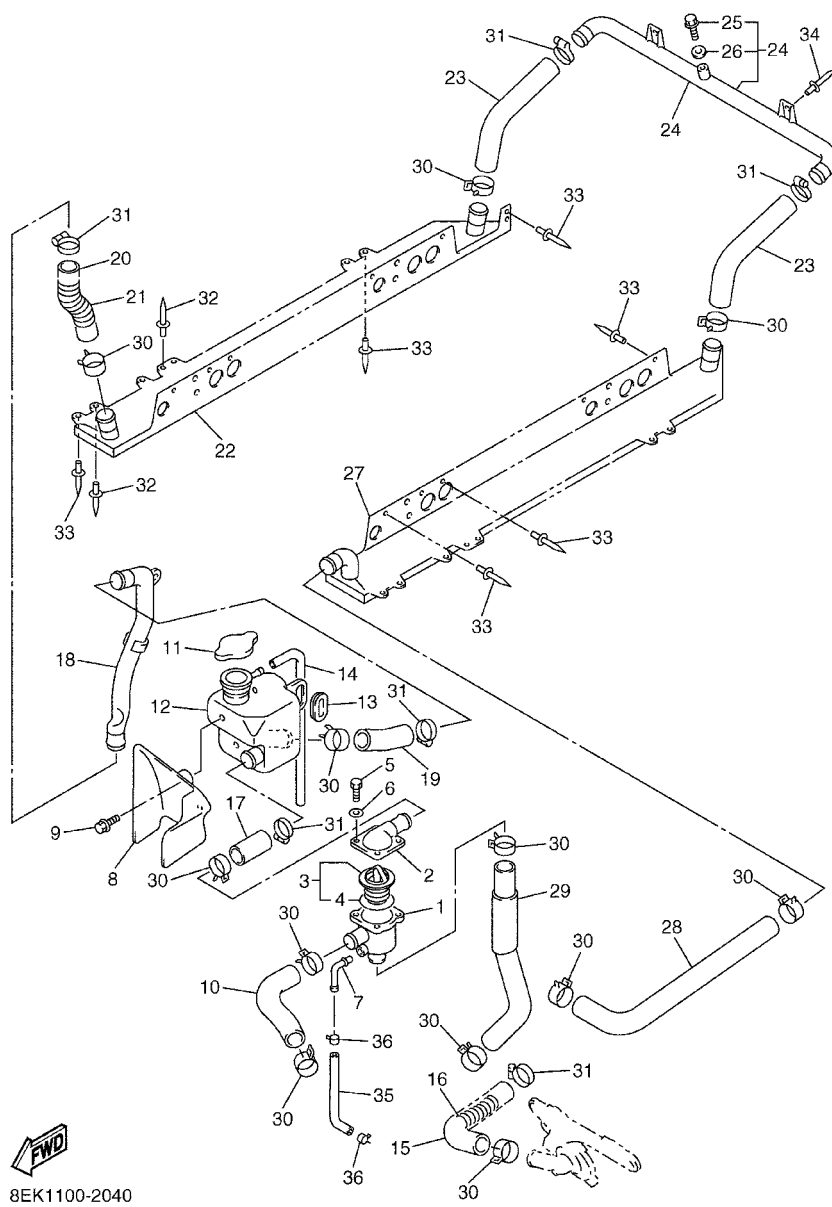

8EK1100-2020

REF. NO.	PART NO.	DESCRIPTION	8FB1	8FB2	REMARKS
1	8EK-11631-00-A0	PISTON (STD)	3	3	
2	8DN-11603-00	PISTON RING SET (STD)	6	6	
3	8J0-11633-00	PIN, PISTON	3	3	
4	93450-21053	CIRCLIP	6	6	
5	93310-32009	BEARING	3	3	
6	8EK-11400-00	CRANKSHAFT ASSY	1	1	
7	8EK-11412-00	.CRANK 1	1	1	
8	8EK-11422-00	.CRANK 2	2	2	
9	8EK-11432-00	.CRANK 3	2	2	
10	8EK-11442-00	.CRANK 4	1	1	
11	8DF-11651-00	.ROD, CONNECTING	3	3	
12	93310-5270A	.BEARING	3	3	
13	8CH-11685-00	.WASHER, CRANK PIN	1	1	
14	90201-272U2	.WASHER, PLATE	5	5	
15	8DN-11415-00	.BEARING ASSY 1	1	1	
16	93306-20723	.BEARING	1	1	
17	93306-20722	.BEARING	2	2	
18	93390-00028	.BEARING	1	1	
19	8DF-1142A-01	.BEARING	1	1	
20	8DF-11515-00	.SEAL, LABYRINTH 1	1	1	
21	91609-30010	.PIN, SPRING	1	1	
22	8DF-11434-00	.GEAR, CRANK SHAFT	1	1	
23	8DF-11436-00	.BEARING ASSY 3	1	1	
24	93440-72049	CIRCLIP	3	3	
25	93103-34181	OIL SEAL	1	1	
26	93103-32153	OIL SEAL	1	1	
27	90280-05033	KEY, WOODRUFF	1	1	

FIG. 3 WATER PUMP



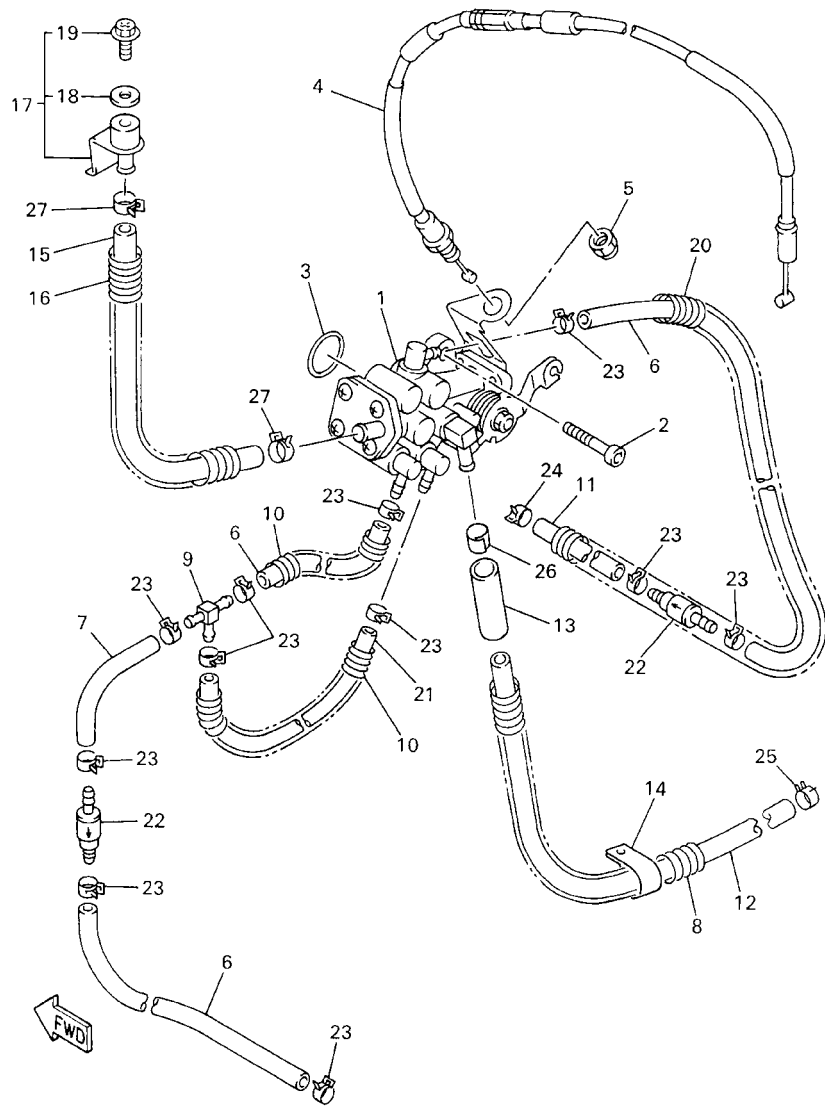
REF. NO.	PART NO.	DESCRIPTION	8FB1	8FB2	REMARKS
1	8DF-12459-00	GEAR, IMPELLER SHAFT	1	1	
2	93306-00106	BEARING	1	1	
3	93306-00004	BEARING	1	1	
4	11H-12438-00	SEAL, MECHANICAL	1	1	
5	93102-12461	OIL SEAL	1	1	
6	99009-28500	CIRCLIP	1	1	
7	8CH-12451-02	IMPELLER, WATER PUMP	1	1	
8	95827-06012	BOLT, FLANGE	1	1	
9	90210-06001	WASHER, SEAL	1	1	
10	8CH-12422-01	COVER, HOUSING	1	1	
11	8CH-12439-00	O-RING	1	1	
12	95817-06020	BOLT, FLANGE	7	7	
13	95807-08025	BOLT, FLANGE	1	1	
14	95814-06025	BOLT, FLANGE	1	1	
15	90430-06166	GASKET	1	1	



FWD
8EK1100-2040

FIG. 4 RADIATOR. HOSE

REF. NO.	PART NO.	DESCRIPTION	8FB1	8FB2	REMARKS
1	8EK-12417-00	HOUSING, THERMOSTAT	1	1	
2	8EK-12413-00	COVER, THERMOSTAT	1	1	
3	8EK-12410-00	THERMOSTAT ASSY	1	1	
4	8EK-12412-00	.SEAL, THERMOSTAT	1	1	
5	97027-06020	BOLT	4	4	
6	92907-06600	WASHER, PLATE	4	4	
7	3FV-12584-00	JOINT, HOSE 3	1	1	
8	8EK-12661-00	DUCT	1	1	
9	95807-06012	BOLT, FLANGE	2	2	
10	8EK-12481-00	PIPE 1	1	1	
11	22W-12462-00	CAP, RADIATOR	1	1	
12	8EK-1249B-00	TANK, RESERVE	1	1	
13	90480-01003	GROMMET	1	1	
14	90445-08008	HOSE	1	1	
15	8EK-12482-00	PIPE 2	1	1	
16	90501-12002	SPRING, COMPRESSION	1	1	
17	8EK-1248E-00	PIPE 9	1	1	
18	8EK-12483-00	PIPE 3	1	1	
19	8EK-1243E-00	HOSE 2	1	1	
20	8DF-1243F-00	HOSE,3	1	1	
21	90501-144L4	SPRING, COMPRESSION	1	1	
22	8EK-1240F-00	HEAT EXCHANGER	1	1	
23	8DF-12484-01	PIPE 4	2	2	
24	8EK-1241A-00	HEAT EXCHANGER ASSY 4	1	1	
25	95817-06016	.BOLT, FLANGE	1	1	
26	90210-06006	.WASHER, SEAL	1	1	
27	8EK-1240E-00	HEAT EXCHANGER	1	1	



8EK1100-2050

FIG. 5 OIL PUMP

REF. NO.	PART NO.	DESCRIPTION	8FB1	8FB2	REMARKS
1	8DN-13100-00	OIL PUMP ASSY	1	1	
2	90110-05227	BOLT, HEXAGON SOCKET HEAD	2	2	
3	93210-191A1	O-RING	1	1	
4	8EK-26320-00	PUMP CABLE ASSY	1	1	
5	95707-08300	NUT, FLANGE	1	1	
6	91A30-03010	TUBE, FLEXIBLE VINYL	3	3	
7	91A30-03006	TUBE, FLEXIBLE VINYL	1	1	
8	90501-08430	SPRING, COMPRESSION	1	1	
9	8H0-24379-00	JOINT	1	1	
10	90501-06028	SPRING, COMPRESSION	2	2	
11	91A30-03008	TUBE, FLEXIBLE VINYL	1	1	
12	91A30-05048	TUBE, FLEXIBLE VINYL	1	1	
13	90445-131H1	HOSE (L33)	1	1	
14	90462-08237	CLAMP	1	1	
15	91A30-07010	TUBE, FLEXIBLE VINYL	1	1	
16	90501-083G4	SPRING, COMPRESSION	1	1	
17	8DF-13185-00	BOLT, BREATHER	1	1	
18	8DF-13187-00	.GASKET, BREATHER BOLT	1	1	
19	8DF-13573-00	.BOLT 1	1	1	
20	90501-08486	SPRING, COMPRESSION	1	1	
21	91A30-03012	TUBE, FLEXIBLE VINYL	1	1	
22	8CH-1316A-00	CHECK VALVE ASSY	2	2	
23	90468-02025	CLIP	11	11	
24	90467-07055	CLIP	1	1	
25	90467-09026	CLIP	1	1	
26	90468-02078	CLIP	1	1	
27	90467-11032	CLIP	2	2	

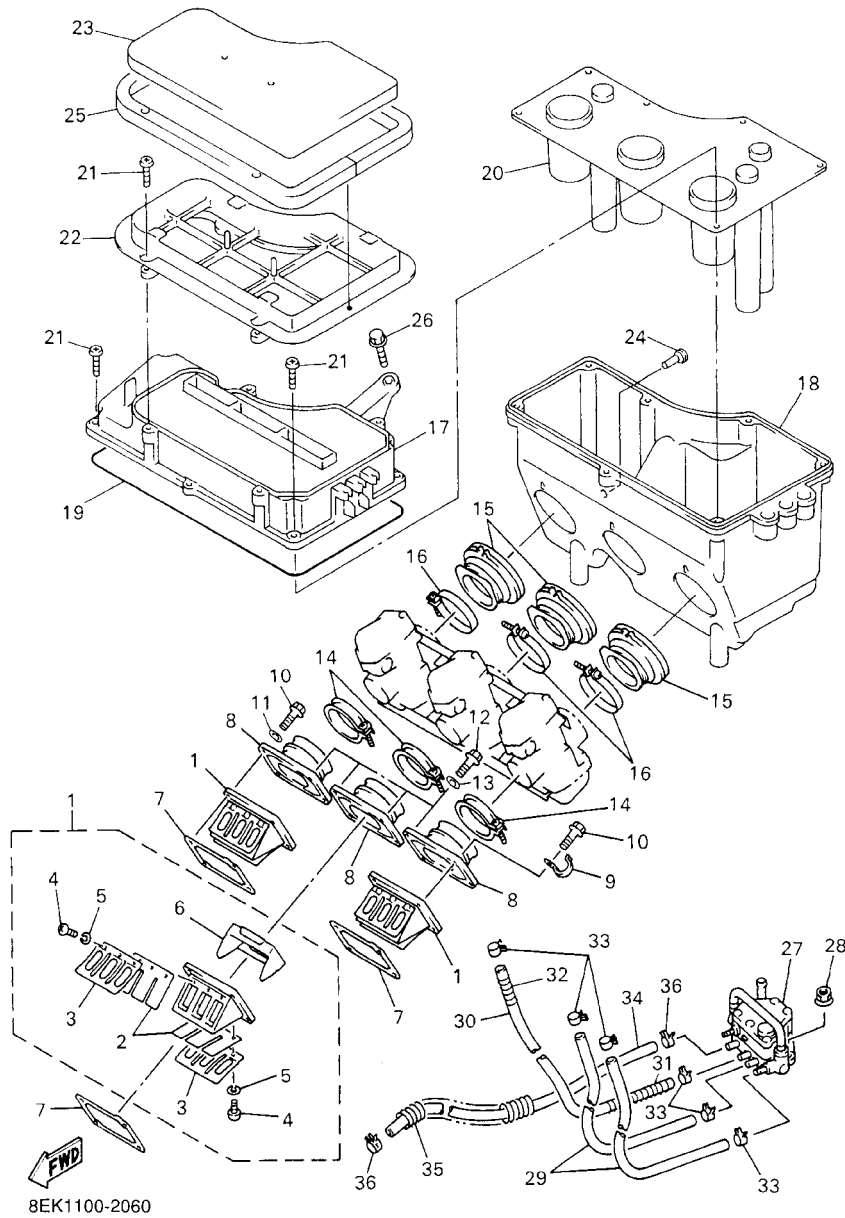
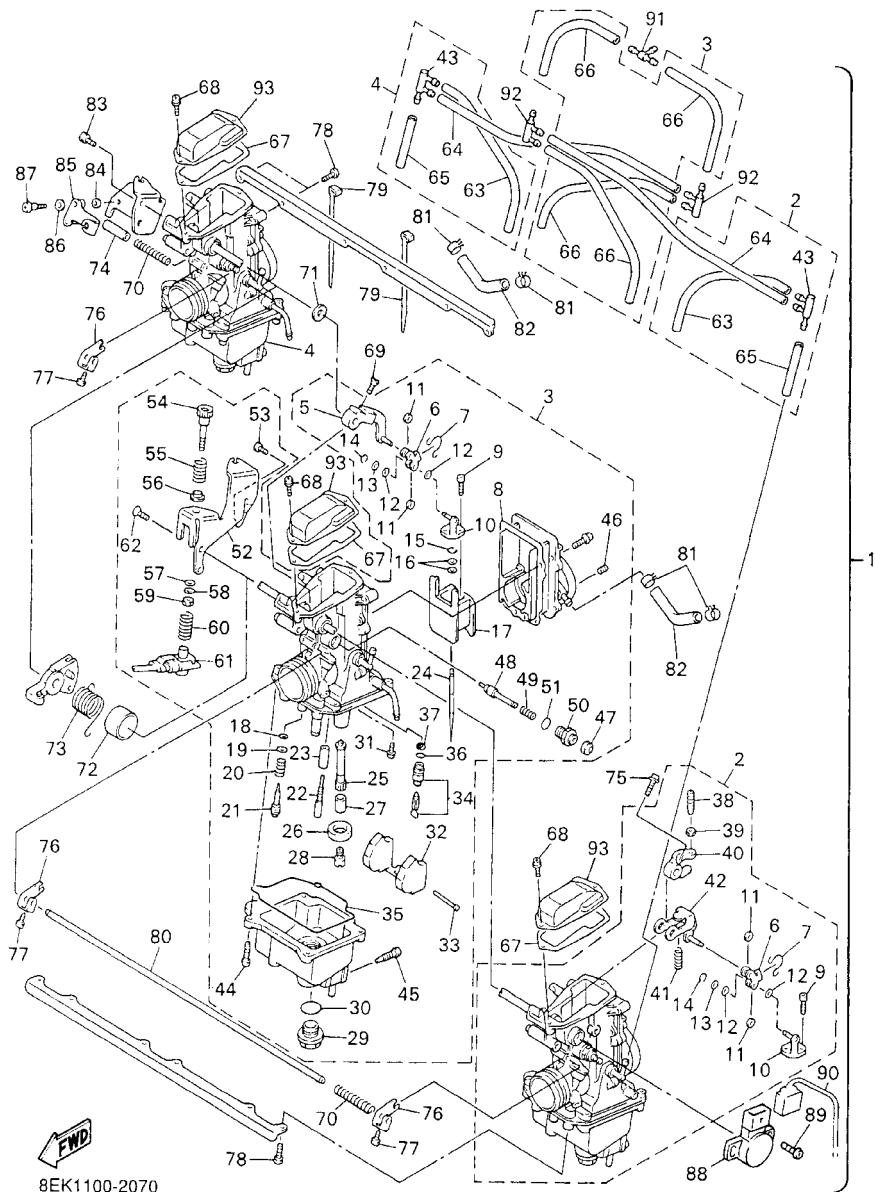


FIG. 6 INTAKE

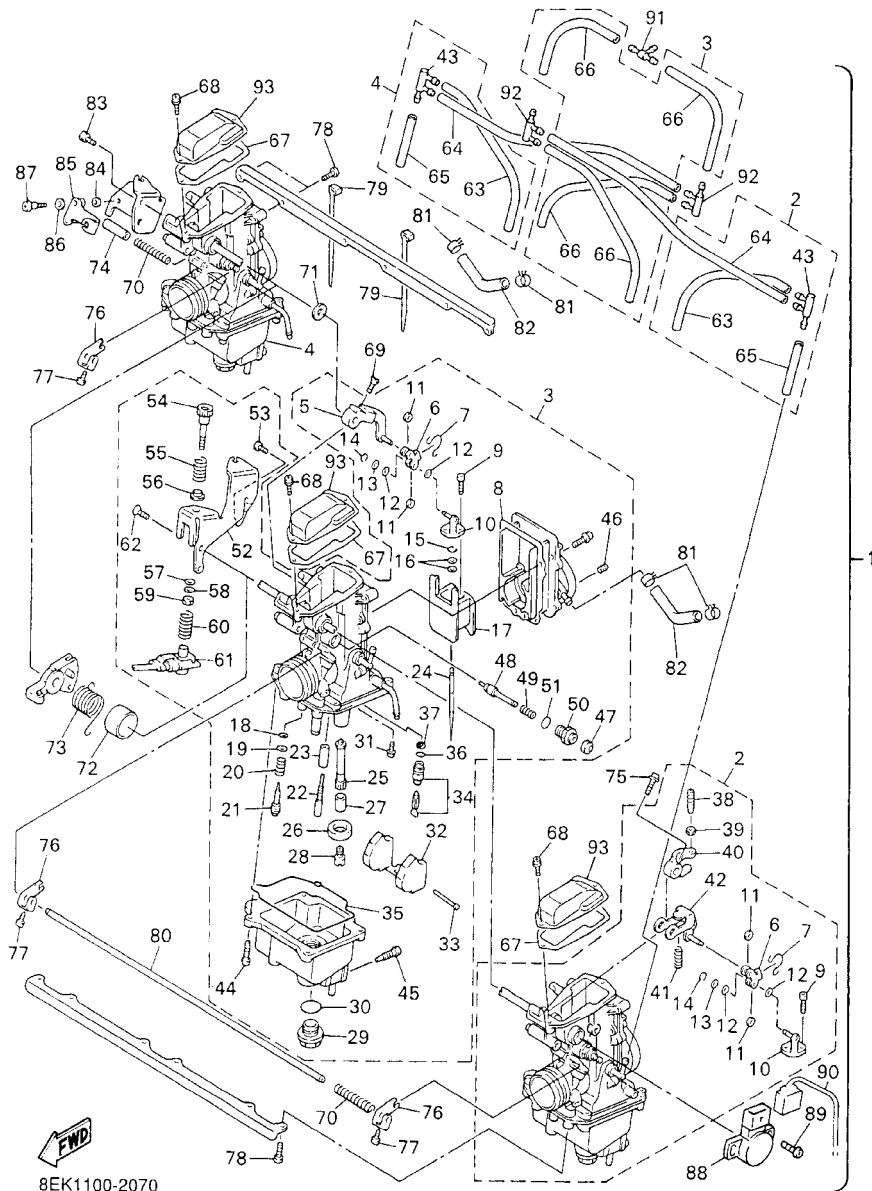
REF. NO.	PART NO.	DESCRIPTION	8FB1	8FB2	REMARKS
1	8DF-13610-00	REED VALVE ASSY	3	3	
2	2KM-13613-00	.REED, VALVE	2	2	
3	8DF-13616-00	.STOPPER, REED VALVE	2	2	
4	98507-03006	.SCREW, PAN HEAD	6	6	
5	92907-03100	.WASHER	6	6	
6	8DF-13625-00	.SPACER, REED VALVE	1	1	
7	8DF-13621-00	GASKET, VALVE SEAT	3	3	
8	8EK-13555-00	MANIFOLD, INTAKE	3	3	
9	90462-08239	CLAMP	1	1	
10	97017-06025	BOLT	8	8	
11	92907-06600	WASHER, PLATE	8	8	
12	97017-06025	BOLT	4	4	
13	92907-06600	WASHER, PLATE	4	4	
14	90460-56073	CLAMP, HOSE	3	3	
15	8DF-14453-01	JOINT, AIR CLEANER 1	3	3	
16	90450-53061	HOSE CLAMP ASSY	3	3	
17	8EK-14431-00	SILENCER, INTAKE 1	1	1	
18	8EK-14441-00	SILENCER, INTAKE 2	1	1	
19	8CH-14452-00	SEAL	1	1	
20	8EK-14477-00	PLATE	1	1	
21	90167-05043	SCREW, TAPPING	11	11	
22	8EK-14458-00	GUIDE	1	1	
23	8EK-14451-00	ELEMENT, AIR CLEANER	1	1	
24	8EK-14454-00	JOINT	1	1	
25	8EK-14425-00	DAMPER 1	1	1	
26	90119-06182	BOLT, WITH WASHER	1	1	
27	8DF-24410-11	FUEL PUMP ASSY	1	1	

FIG. 7 CARBURETOR



REF. NO.	PART NO.	DESCRIPTION	8FB1	8FB2	REMARKS
1	8EK-14100-00	CARBURETOR ASSY	1	1	
2	8EK-14101-00	..CARBURETOR ASSY 1	1	1	
3	8EK-14102-00	..CARBURETOR ASSY 2	1	1	
4	8EK-14103-00	..CARBURETOR ASSY 3	1	1	
5	89A-14292-00	..LEVER A	1	1	#2
6	89A-14243-00	..PLATE	1	1	
7	89A-14137-00	..CLIP	1	1	
8	89A-14199-00	..GASKET	1	1	
9	8CC-14216-00	..SCREW	2	2	
10	89A-14188-00	..CONNECTOR	1	1	
11	3MA-14918-00	..RING	2	2	
12	3GF-14126-00	..GASKET	2	2	
13	620-14198-00	..GASKET	1	1	
14	3MA-14937-00	..CLIP	1	1	
15	3MA-14159-00	..CLIP	1	1	
16	8AB-14227-00	..WASHER (T=0.4MM)	2	2	
17	8EK-14112-15	..VALVE, THROTTLE 1	1	1	
18	3H1-14147-00	..O-RING	1	1	
19	3H1-14962-00	..WASHER	1	1	
20	5K7-14134-00	..SPRING, AIR ADJUSTING	1	1	
21	89A-14565-00	..SCREW, PILOT ADJUSTING	1	1	
22	3H1-14142-45	..JET, PILOT (# 45)	1	1	STD
	3H1-14142-47	..JET, PILOT (# 47.5)	1	1	AP
	3H1-14142-50	..JET, PILOT (# 50)	1	1	AP
	3H1-14142-52	..JET, PILOT (# 52.5)	1	1	AP
	3H1-14142-55	..JET, PILOT (# 55)	1	1	AP
23	89A-14996-00	..PIPE	1	1	

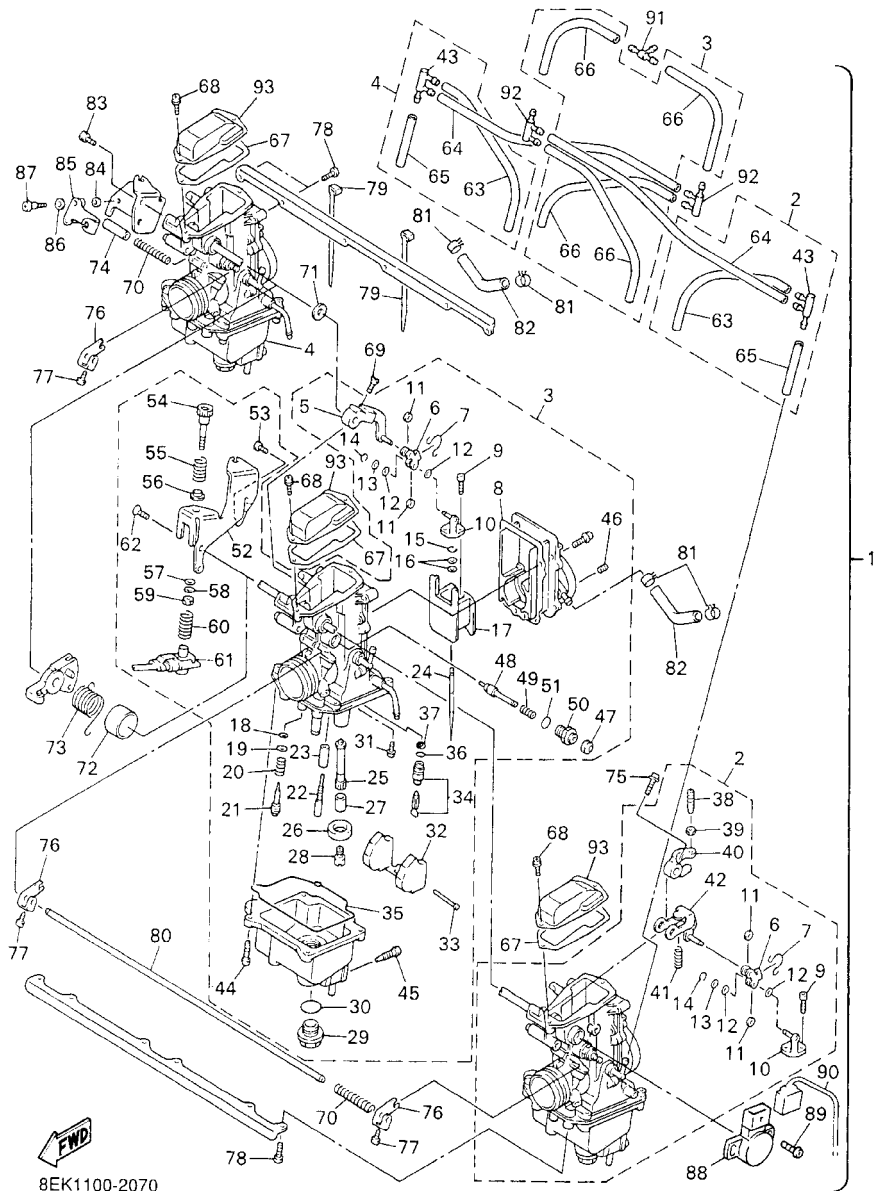
FIG. 7 CARBURETOR



8EK1100-2070

REF. NO.	PART NO.	DESCRIPTION	8FB1	8FB2		REMARKS
24	1T1-14116-A4	..NEEDLE	1	1		
25	89A-14141-48	..NOZZLE, MAIN	1	1		
26	1LX-14153-00	..WASHER, MAIN JET	1	1		
27	89A-14194-00	..RING	1	1		
28	3G2-1423E-62	..JET, MAIN (#156.3)	1	1		STD
	3G2-14231-32	..JET, MAIN (#160)	1	1		AP
	3G2-1423E-63	..JET, MAIN	1	1		AP
	3G2-1423A-82	..JET, MAIN (#157.5)	1	1		AP
	3G2-14231-31	..JET, MAIN (#155)	1	1		AP
	3G2-1423E-61	..JET, MAIN (#153.8)	1	1		AP
	3G2-1423A-81	..JET, MAIN (#152.5)	1	1		AP
	3G2-1423E-60	..JET, MAIN (#151.3)	1	1		AP
	3G2-14231-30	..JET, MAIN (#150)	1	1		AP
	3G2-1423E-59	..JET, MAIN (#148.8)	1	1		AP
	3G2-1423A-80	..JET, MAIN (#147.5)	1	1		AP
	3G2-1423E-58	..JET, MAIN (#146.3)	1	1		AP
	3G2-14231-29	..JET, MAIN (#145)	1	1		AP
	3G2-1423E-57	..JET, MAIN (#143.8)	1	1		AP
	3G2-1423E-56	..JET, MAIN (#141.3)	1	1		AP
	3G2-14231-28	..JET, MAIN (#140)	1	1		AP
	3G2-1423E-55	..JET, MAIN (#138.8)	1	1		AP
29	500-14115-00	..PLUG, SCREW	1	1		
30	558-14147-00	..O-RING	1	1		
31	2LN-14565-00	..SCREW	1	1		
32	8EK-14185-00	..FLOAT	1	1		
33	537-14186-00	..PIN, FLOAT	1	1		
34	1AE-14190-13	..NEEDLE VALVE ASSY	1	1		

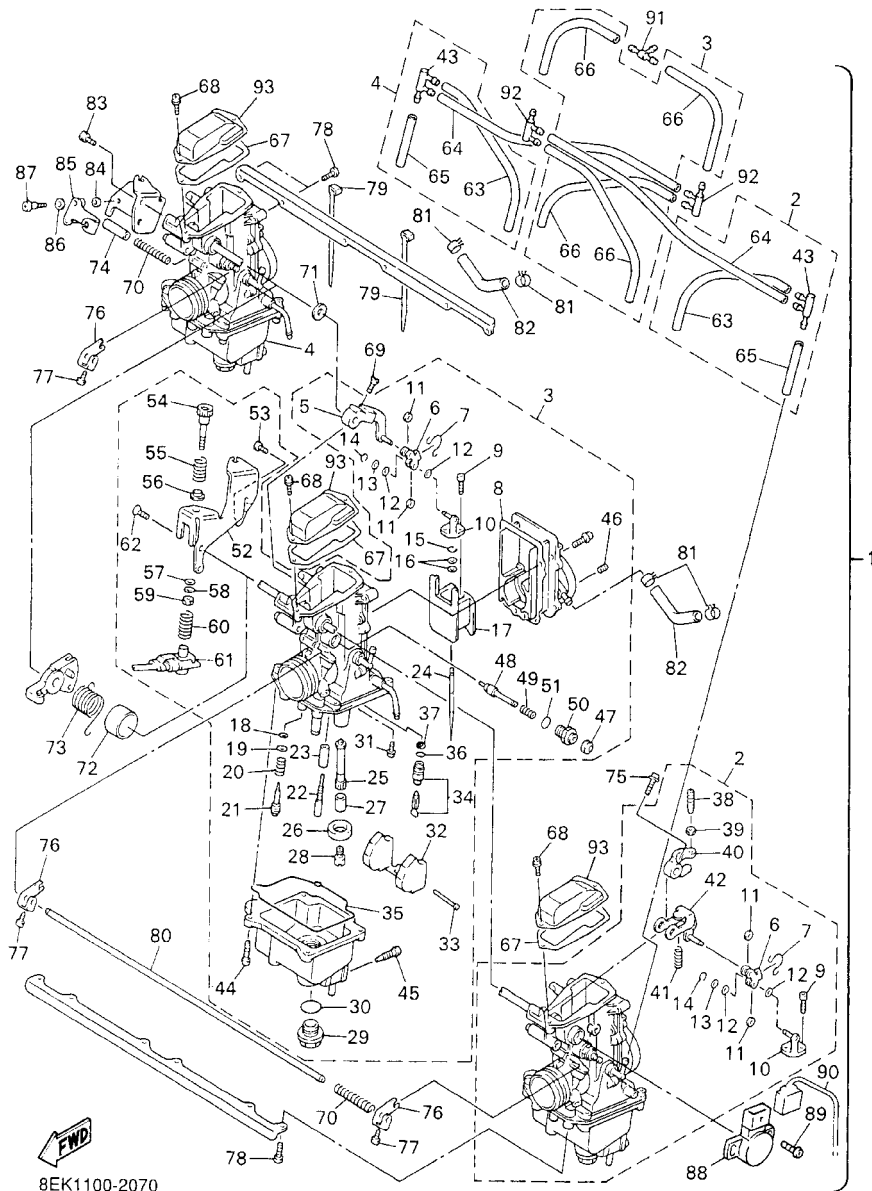
FIG. 7 CARBURETOR



8EK1100-2070

REF. NO.	PART NO.	DESCRIPTION	8FB1	8FB2		REMARKS
35	89A-14147-00	..O-RING	1	1		
36	8F2-14147-00	..O-RING	1	1		
37	1J7-14994-00	..NET, FILTER	1	1		
38	89A-14216-00	..SCREW	1	1		#1,3
39	95302-05700	..NUT	1	1		#1,3
40	89A-14276-00	..LEVER	1	1		#1,3
41	89A-14286-00	..SPRING	1	1		#1,3
42	89A-14905-00	..LEVER, STARTER	1	1		#1,3
43	8EK-14251-00	..NIPPLE	1	1		#1,3
44	98501-04014	..SCREW, PAN HEAD	4	4		
45	12R-14191-00	..PLUG, DRAIN	1	1		
46	239-14172-10	..PILOT JET, AIR (1.0)	1	1		
47	302-14173-00	..COVER, PLUNGER CAP	1	1		
48	8EK-14171-00	..PLUNGER, STARTER	1	1		
49	1AW-14135-00	..SPRING, PLUNGER	1	1		
50	1FN-14174-00	..CAP, PLUNGER	1	1		
51	1AE-14147-00	..O-RING	1	1		
52	8CH-14995-00	..BRACKET	1	1		#2
53	98502-04010	..SCREW, PAN HEAD	1	1		#2
54	8CC-14122-00	..SCREW, THROTTLE	1	1		#2
55	2J2-14133-00	..SPRING, THROTTLE STOP	1	1		#2
56	89A-14265-00	..COLLAR	1	1		#2
57	22F-14117-00	..WASHER, PLUG SCREW	1	1		#2
58	1UF-14952-00	..WASHER	1	1		#2
59	89A-14594-00	..NUT	1	1		#2
60	89A-24529-00	..SPRING	1	1		#2
61	87S-8259A-00	..SWITCH, CARBURETOR	1	1		#2

FIG. 7 CARBURETOR

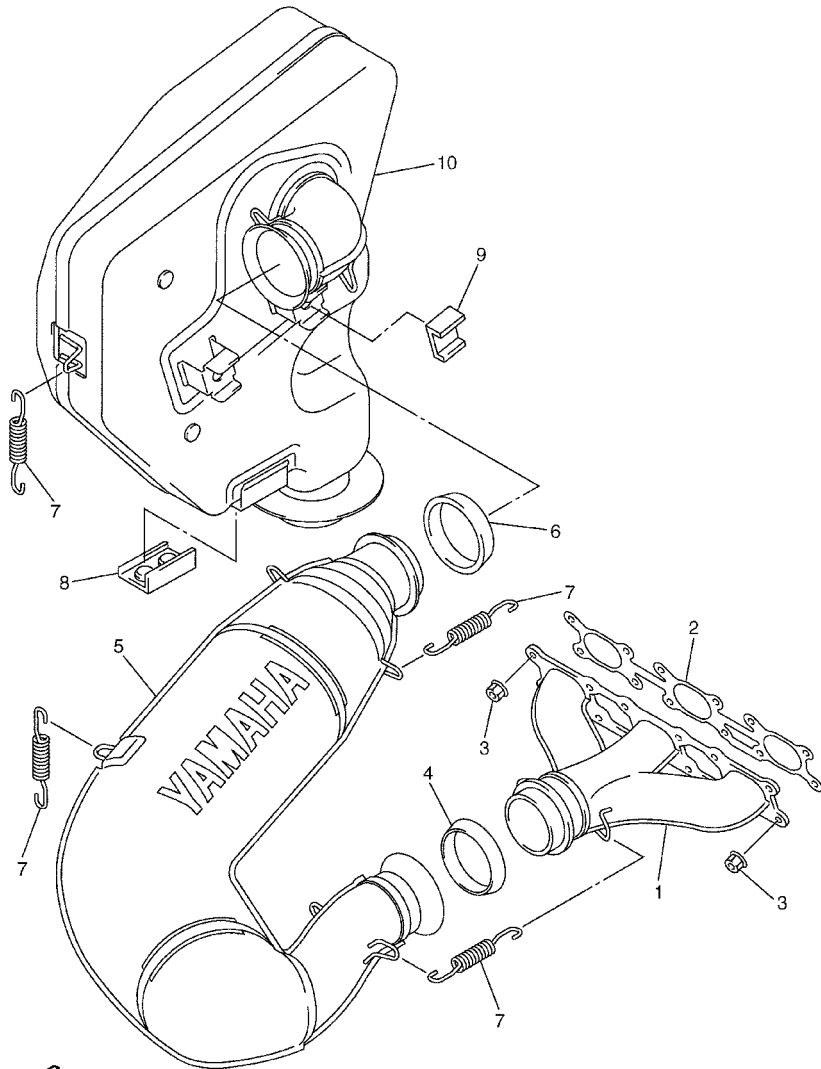


8EK1100-2070

REF. NO.	PART NO.	DESCRIPTION	8FB1	8FB2	REMARKS
62	98702-05008	..SCREW, FLAT HEAD	1	1	#2
63	8EK-14348-00	..PIPE 1	1	1	#1,3
64	8EK-14349-00	..PIPE	1	1	#1,3
65	8CH-14348-00	..PIPE 1	1	1	#1,3
66	8F2-14197-00	..PIPE	2	2	#2
67	89A-14198-00	.GASKET	3	3	
68	97605-04110	.SCREW, PAN HEAD WITH WASHER	6	6	
69	98702-04014	.SCREW, FLAT HEAD	1	1	
70	1AE-14135-00	.SPRING, PLUNGER	2	2	
71	3H1-14227-00	.WASHER	1	1	
72	89A-14264-00	.COLLAR	1	1	
73	8CH-14589-00	.SPRING	1	1	
74	89A-14118-00	.CAP	1	1	
75	97602-04116	.SCREW, PAN HEAD WITH WASHER	2	2	
76	89A-14208-00	.LEVER COMP. 1	3	3	
77	11H-14991-00	.SCREW	3	3	
78	98502-05012	.SCREW, PAN HEAD	12	12	
79	35H-14139-00	.CLIP, PIPE	6	6	
80	8CH-14978-00	.SHAFT, STARTER LEVER	1	1	
81	90467-10035	.CLIP	4	4	
82	8CH-14987-10	.HOSE	2	2	
83	97602-05110	.SCREW, PAN HEAD WITH WASHER	1	1	
84	3FV-14962-00	.WASHER	1	1	
85	89A-14588-00	.LEVER	1	1	
86	22F-14117-00	.WASHER, PLUG SCREW	1	1	
87	22F-14115-00	.PLUG, SCREW	1	1	
88	5FL-85885-00	.THROTTLE SENSOR ASSY	1	1	

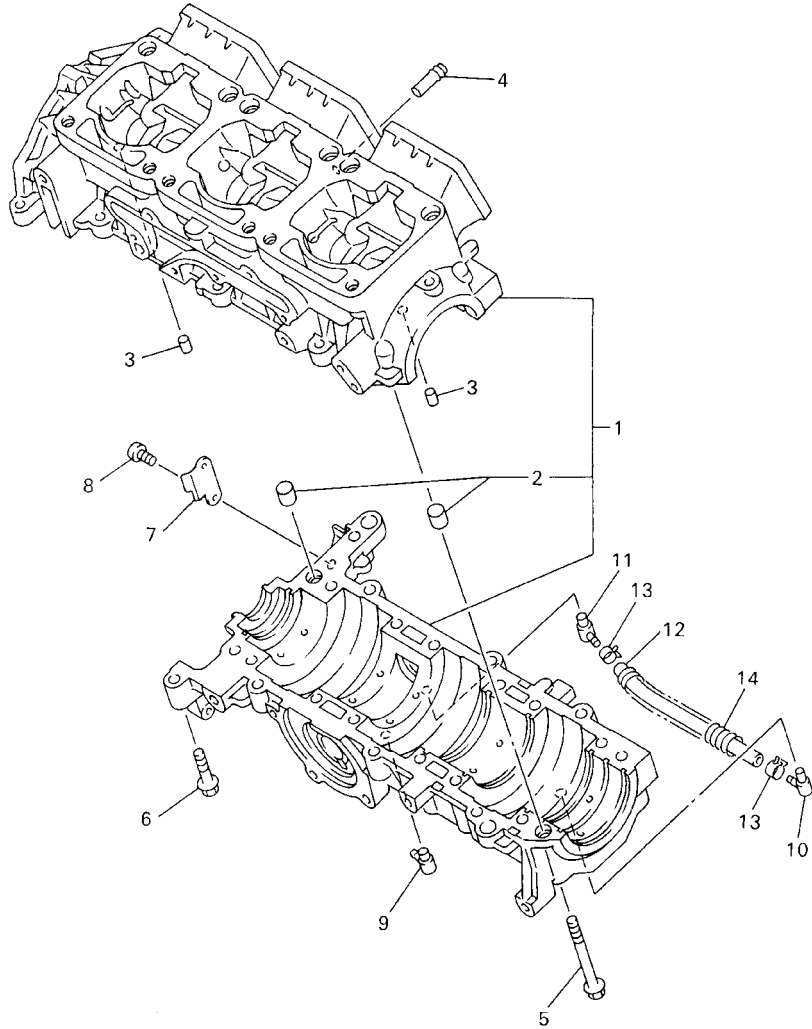
FIG. 8 EXHAUST

REF. NO.	PART NO.	DESCRIPTION	8FB1	8FB2	REMARKS
1	8EK-14610-00	EXHAUST PIPE ASSY 1	1	1	
2	8EK-14613-00	GASKET, EXHAUST PIPE	1	1	
3	95707-06500	NUT, FLANGE	12	12	
4	8CA-14714-00	GASKET, MUFFLER	1	1	
5	8EK-14620-00	EXHAUST PIPE ASSY 2	1	1	
6	8EK-14714-00	GASKET, MUFFLER	1	1	
7	90506-20272	SPRING, TENSION	7	7	
8	8EK-14738-00	PROTECTOR, MUFFLER 3	1	1	
9	8EK-14728-00	PROTECTOR, MUFFLER 2	2	2	
10	8EK-14640-00	SECOND SILENCER, MUFFLER	1	1	



 8EK1100-2080

FIG. 9 CRANKCASE

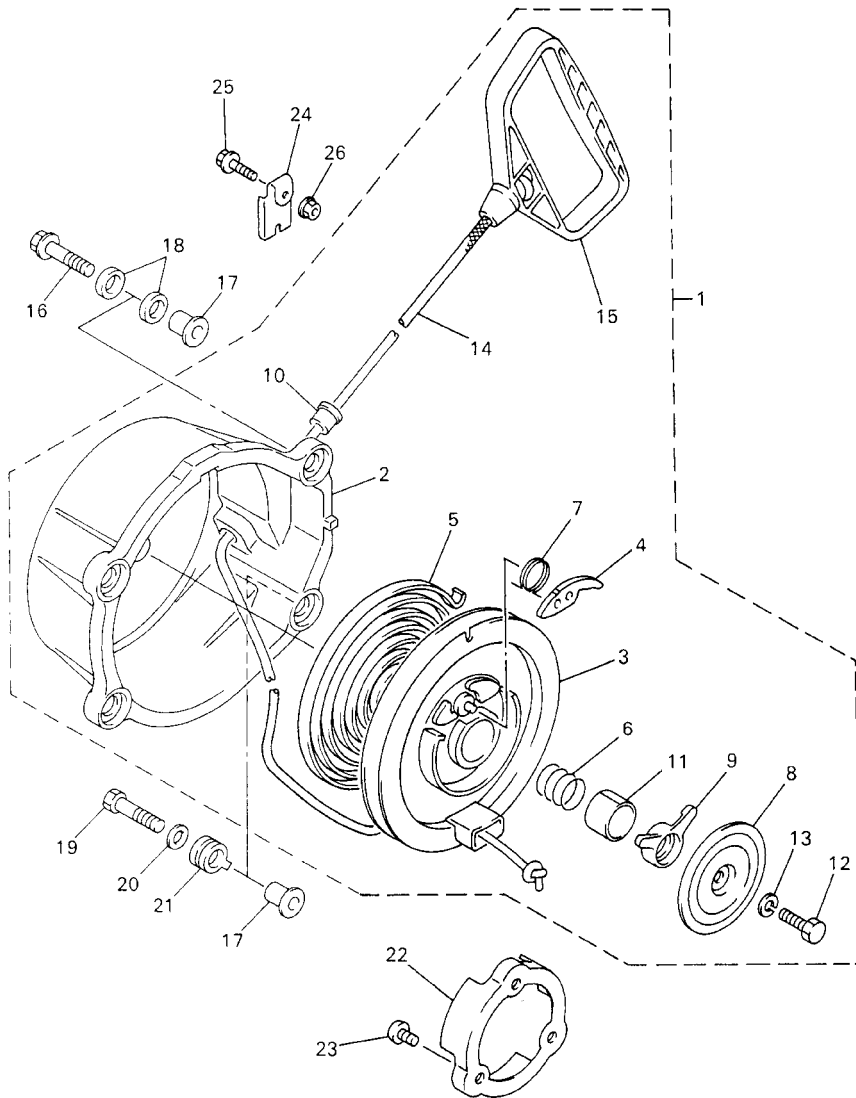


REF. NO.	PART NO.	DESCRIPTION	8FB1	8FB2	REMARKS
1	8DF-15100-10	CRANKCASE ASSY	1	1	
2	99530-12016	.PIN, DOWEL	2	2	
3	93605-10108	PIN, DOWEL	2	2	
4	J38-11116-00	JOINT, BREATHER	1	1	
5	99530-12016	PIN, DOWEL	2	2	
6	95817-08080	BOLT, FLANGE	16	16	
7	95827-08040	BOLT, FLANGE	8	8	
8	90461-12001	CLAMP	1	1	
9	98507-06012	SCREW, PAN HEAD	2	2	
10	353-13552-01	NOZZLE	1	1	
11	8DF-13552-00	NOZZLE	1	1	
12	8CH-13552-00	NOZZLE	1	1	
13	90446-08382	HOSE	1	1	
14	90468-02025	CLIP	2	2	
15	90501-08430	SPRING, COMPRESSION	1	1	



8DN3100-0090

FIG. 10 STARTER

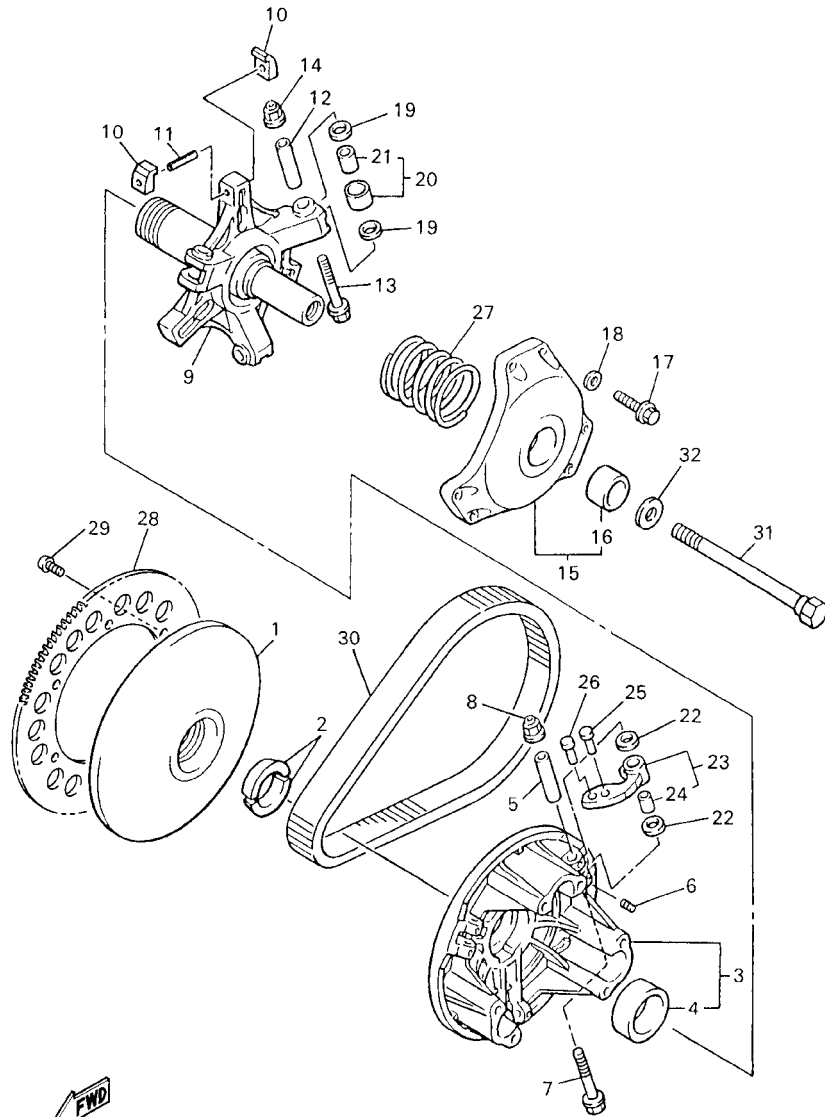


REF. NO.	PART NO.	DESCRIPTION	8FB1	8FB2	REMARKS
1	8EK-15710-00	STARTER ASSY	1	1	
2	8EK-15711-00	.CASE, STARTER	1	1	
3	8DF-15714-00	.DRUM, SHEAVE	1	1	
4	8EK-15741-00	.PAWL, DRIVE	1	1	
5	8DF-15713-00	.SPRING, STARTER	1	1	
6	8DF-15715-00	.SPRING, FRICTION	1	1	
7	8CH-15767-00	.SPRING	1	1	
8	8DF-15716-00	.PLATE, DRIVE	1	1	
9	8DF-15735-00	.GUIDE, CAM	1	1	
10	8F3-15758-00	.GUIDE, ROPE	1	1	
11	8DF-15753-00	.BUSH	1	1	
12	8DF-15768-00	.BOLT	1	1	
13	92902-08100	.WASHER, SPRING	1	1	
14	8CH-15751-00	.WIRE, STARTER	1	1	
15	8F3-15755-00	.HANDLE, STARTER	1	1	
16	90119-08240	BOLT, WITH WASHER	3	3	
17	90387-0811L	COLLAR	4	4	
18	90385-12036	BUSH	6	6	
19	97027-08035	BOLT	1	1	
20	92907-08600	WASHER, PLATE	1	1	
21	90386-12001	BUSH	1	1	
22	8DF-15723-00	PULLEY, STARTER	1	1	
23	92017-08012	BOLT, BUTTON HEAD	3	3	
24	8DF-15758-10	GUIDE, ROPE	1	1	
25	95827-06014	BOLT, FLANGE	1	1	
26	95707-06500	NUT, FLANGĒ	1	1	



8EK1100-2100

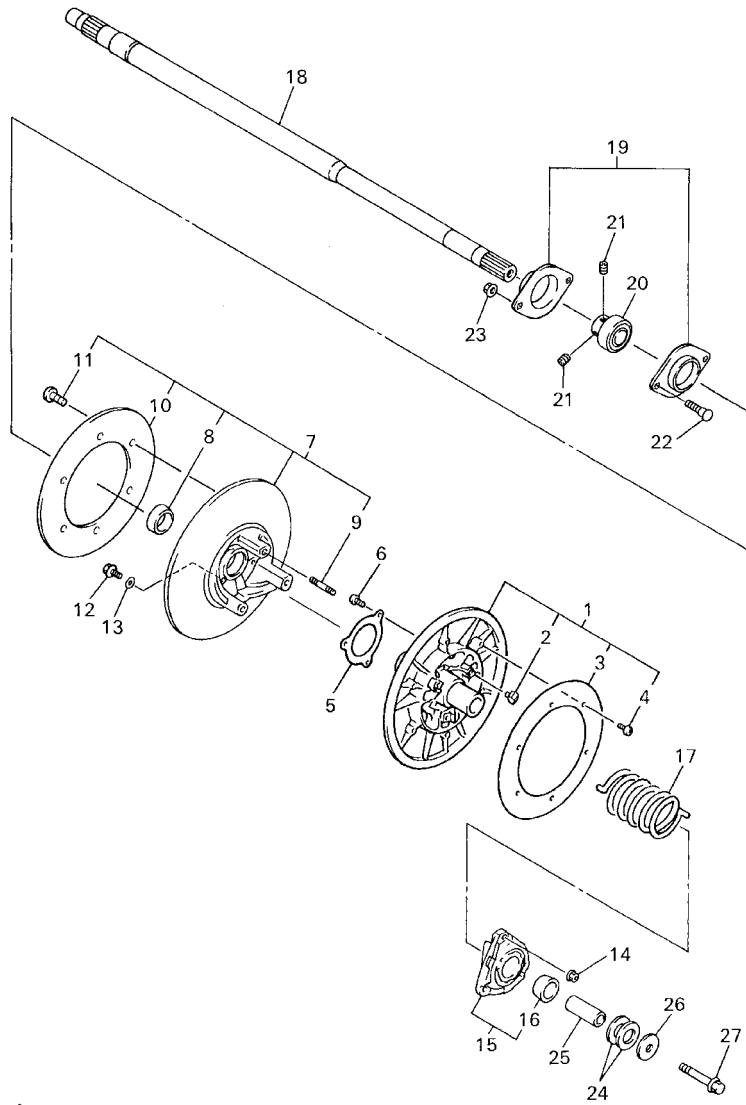
FIG. 11 PRIMARY SHEAVE



8FB1100-2110

REF. NO.	PART NO.	DESCRIPTION	8FB1	8FB2	REMARKS
1	8CR-17611-01	SHEAVE, PRIMARY FIXED	1	1	
2	8V0-17639-00	STOPPER	2	2	
3	8BV-17620-11	PRIMARY SLIDING SHEAVE COMP.	1	1	
4	90384-41242	BUSH, BIMETAL FORMED	1	1	
5	90387-0514T	COLLAR	3	3	
6	90113-05053	BOLT, SET	6	6	
7	90105-05644	BOLT, FLANGE	3	3	
8	95607-05200	NUT, U FLANGE	3	3	
9	8CA-17640-12	SPIDER COMPLETE	1	1	
10	8BW-17653-00	SLIDER	6	6	
11	91609-50032	PIN, SPRING	3	3	
12	90387-0514U	COLLAR	3	3	
13	90105-05644	BOLT, FLANGE	3	3	
14	95607-05200	NUT, U FLANGE	3	3	
15	8DF-17630-00	PRIMARY SHEAVE CAP COMP.	1	1	
16	90380-28237	.BUSH, SOLID	1	1	
17	97017-06030	BOLT	6	6	
18	92907-06600	WASHER, PLATE	6	6	
19	90202-09227	WASHER, PLATE	6	6	
20	8CR-17624-00	ROLLER, COMP	3	3	
21	90380-09245	.BUSH, SOLID	1	1	
22	90202-08204	WASHER, PLATE	6	6	
23	8EK-17605-00	WEIGHT COMP	3	3	
24	90380-08244	.BUSH, SOLID	1	1	
25	90261-06033	RIVET, COUNTERSUNK (ST17.2MM)	3	3	
26	90261-06034	RIVET, COUNTERSUNK (ST13.9MM)	3	3	
27	90501-603L2	SPRING, COMPRESSION	1	1	(Y-WH-Y)

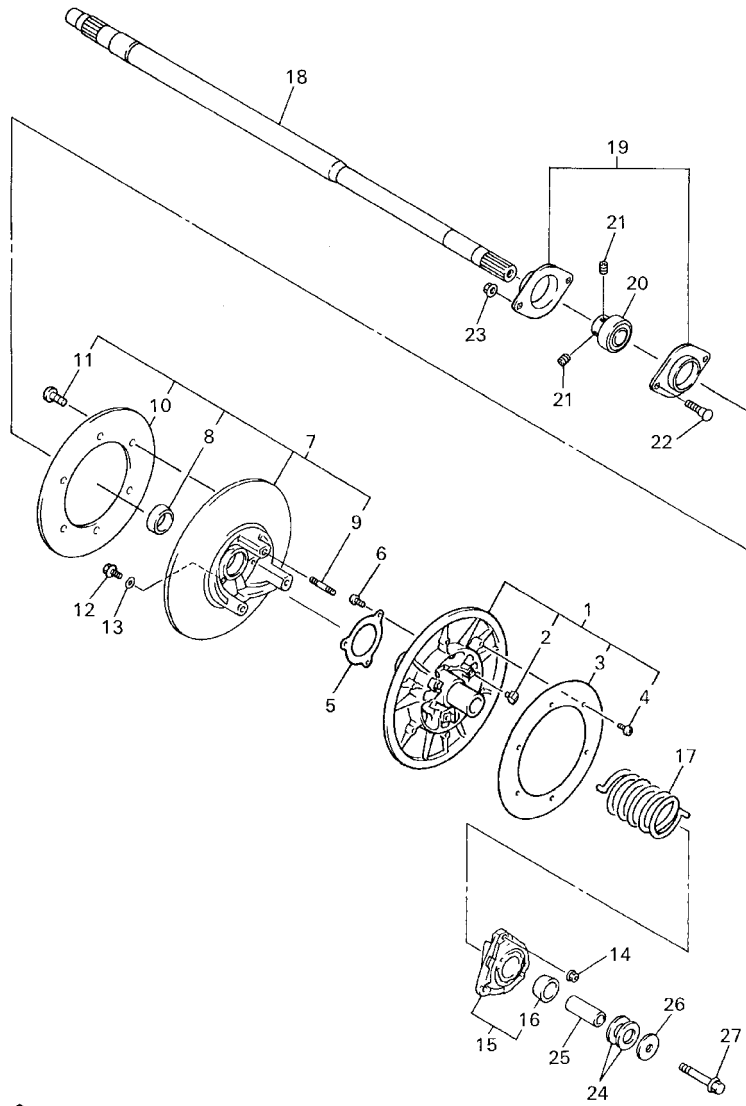
FIG. 12 SECONDARY SHEAVE



8CH100-7230

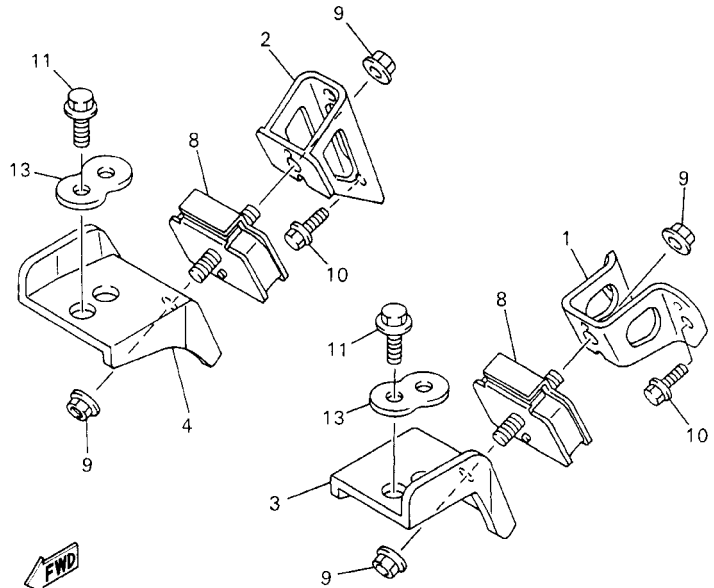
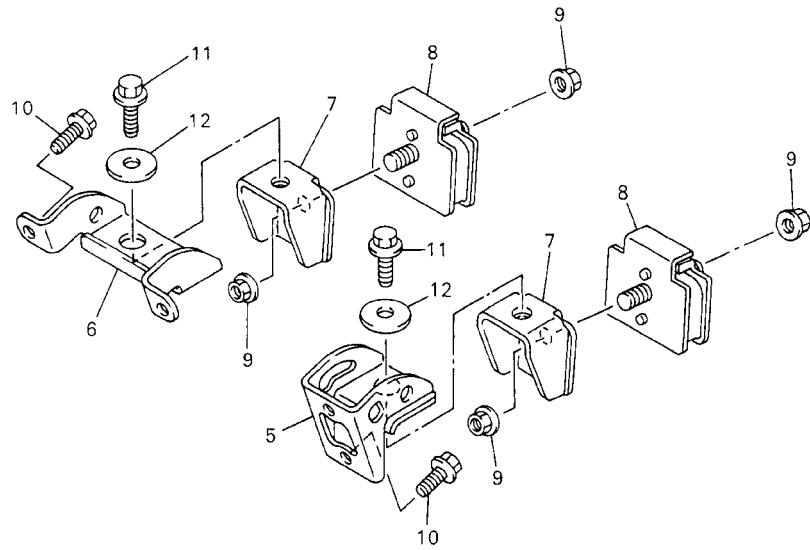
REF. NO.	PART NO.	DESCRIPTION	8FB1	8FB2	REMARKS
1	8CR-17660-10	SECONDARY FIXED SHEAVE COMP.	1	1	
2	8AV-17688-10	.SHOE, RAMP	3	3	
3	8CM-17665-00	.PLATE 1	1	1	
4	90150-05040	.SCREW, ROUND HEAD	6	6	
5	8BV-17656-00	STOPPER, HOLDER	1	1	
6	90154-06062	SCREW, BINDING	3	3	
7	8BU-17670-10	SECONDARY SLIDING SHEAVE	1	1	
8	90384-38243	.BUSH, BIMETAL FORMED	1	1	
9	95617-08630	.BOLT, STUD	3	3	
10	8CM-17675-00	.PLATE 2	1	1	
11	90150-05040	.SCREW, ROUND HEAD	6	6	
12	90105-06734	BOLT, FLANGE	3	3	
13	90201-061H1	WASHER, PLATE (T=0.5)	3	3	UR UN
	90201-06037	WASHER, PLATE (T=1.0)	3	3	UR UN
14	90179-08655	NUT	3	3	
15	8BV-17604-71	SEAT SPRING SET	1	1	
16	90384-38243	.BUSH, BIMETAL FORMED	1	1	
17	90508-536A9	SPRING, TORSION	1	1	
18	8CR-17681-10	SHAFT, SECONDARY	1	1	
19	8CR-47631-01	HOUSING, BEARING	1	1	
20	93399-99943	BEARING	1	1	
21	90113-06064	BOLT, SET	2	2	
22	90109-083G2	BOLT	2	2	
23	95707-08500	NUT, FLANGE	2	2	
24	90201-222F0	WASHER, PLATE (T=0.5)	1	1	UR UN
	90201-225A4	WASHER, PLATE (T=1.0)	3	3	UR UN
25	90387-1407L	COLLAR	1	1	

FIG. 12 SECONDARY SHEAVE



REF. NO.	PART NO.	DESCRIPTION	8FB1	8FB2	REMARKS
26	90201-141A3	WASHER, PLATE	1	1	
27	90105-14760	BOLT, FLANGE	1	1	

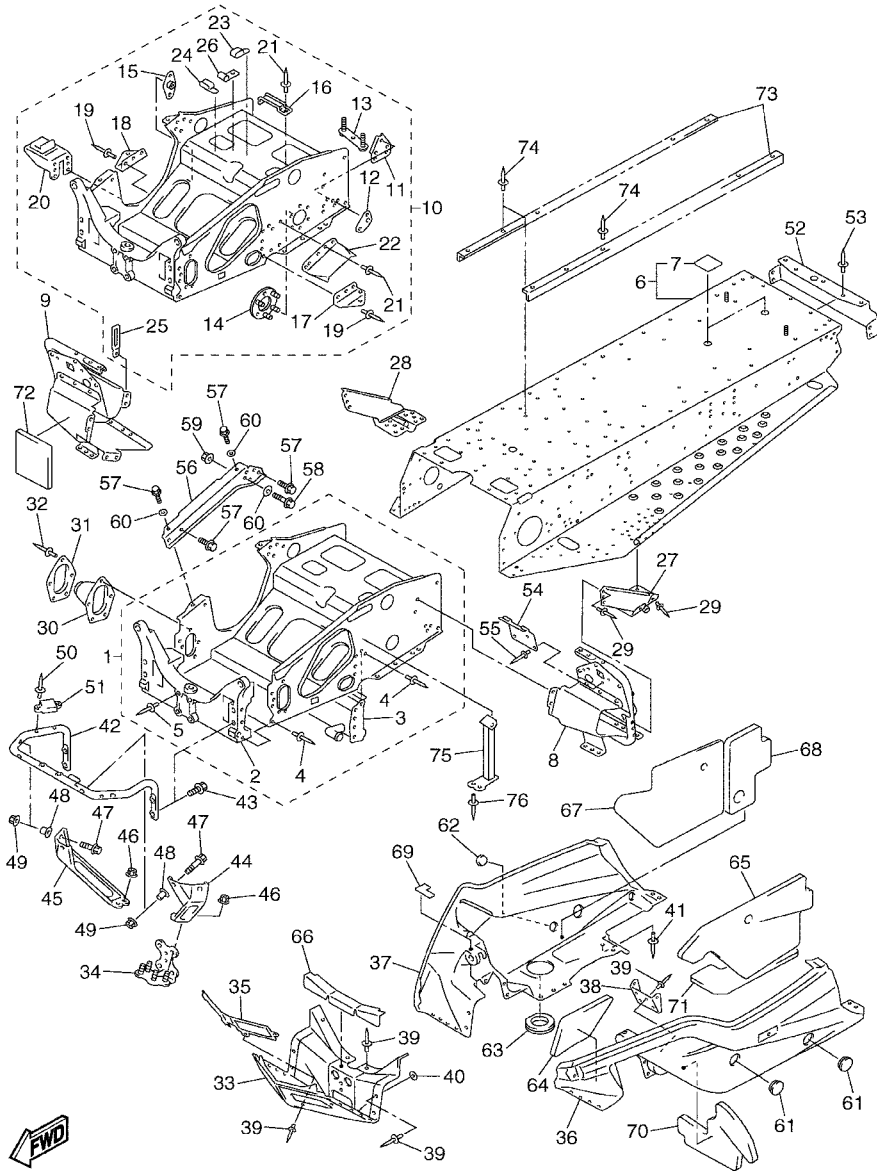
FIG. 13 ENGINE BRACKET



8EK1100-2130

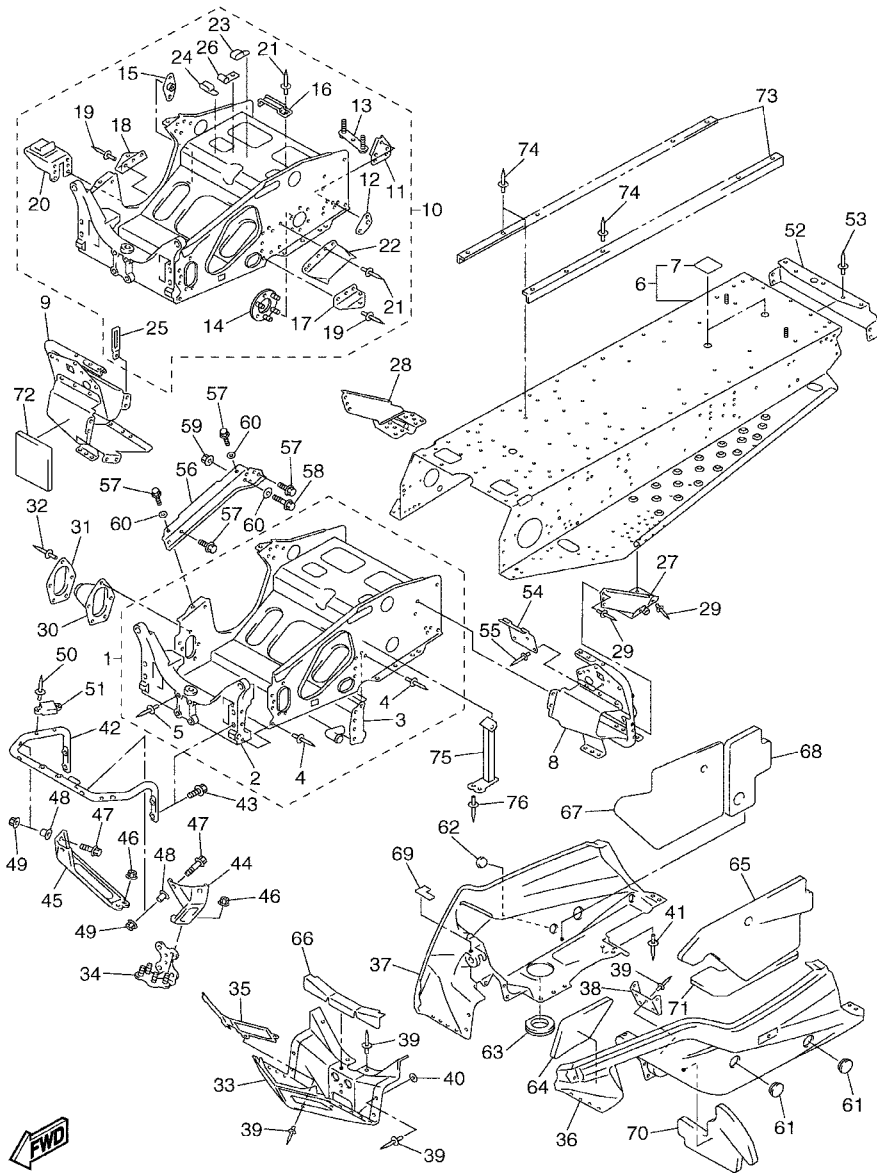
REF. NO.	PART NO.	DESCRIPTION	8FB1	8FB2	REMARKS
1	8EK-21415-00	BRACKET, FRONT UPPER 1	1	1	
2	8EK-21416-00	BRACKET, FRONT UPPER 2	1	1	
3	8DF-21417-01	BRACKET, FRONT LOWER 1	1	1	
4	8DF-21418-00	BRACKET, FRONT LOWER 2	1	1	
5	8EK-21425-00	BRACKET, REAR UPPER 1	1	1	
6	8EK-21426-00	BRACKET, REAR UPPER 2	1	1	
7	8CR-21427-10	BRACKET, REAR LOWER 1	2	2	
8	8CH-21486-10	DAMPER 2	4	4	
9	95707-10500	NUT, FLANGE	8	8	
10	95817-08025	BOLT, FLANGE	8	8	
11	95827-10025	BOLT, FLANGE	6	6	
12	90201-10321	WASHER, PLATE	2	2	
13	8DF-2145B-10	PLATE, ENGINE MOUNT	2	2	

FIG. 15 FRAME



8FB1100-2150

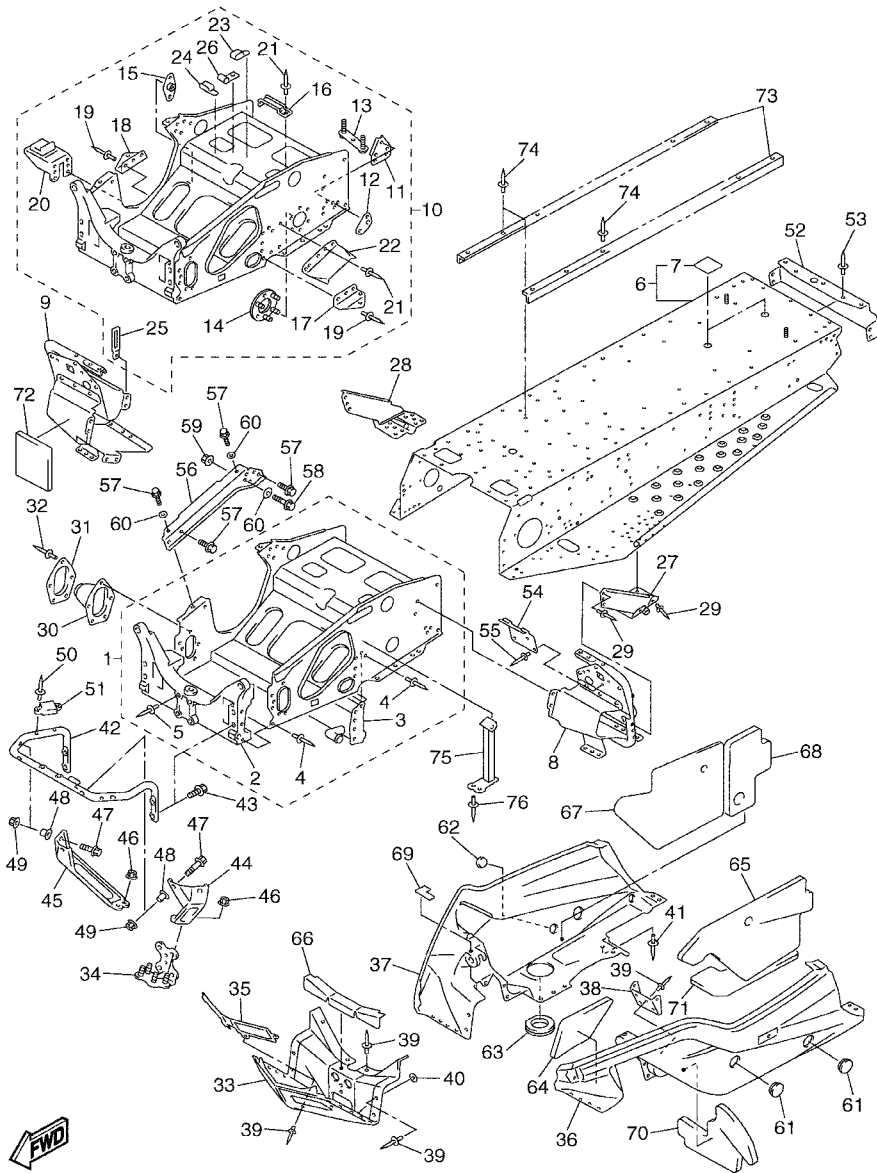
REF. NO.	PART NO.	DESCRIPTION	8FB1	8FB2	REMARKS
1	8EK-21940-09	FRONT FRAME COMP.	1	1	
2	8EK-2191A-00	.BULKHEAD	1	1	
3	8EK-12440-00	.HEAT EXCHANGER ASSY	1	1	
4	90267-48016	.RIVET, BLIND	50	50	UN
5	90267-48057	.RIVET, BLIND	2	2	
6	8EK-21950-09	REAR FRAME COMP.	1	1	
7	8CR-2198J-00	.COVER 3	2	2	
8	8EK-21960-09	FOOTREST COMP. 1	1	1	
9	8EK-21970-09	FOOTREST COMP. 2	1	1	
10	8EK-W2195-00	FRAME CONNECTION KIT	1	1	
11	8CR-21943-01	.BRACKET, MAIN TRACK 1	2	2	
12	8CR-21953-00	.BRACKET, MAIN TRACK 2	2	2	
13	8CR-2196F-00	.BRACKET 3	1	1	
14	8EK-21920-00	.HOUSING, REINF SUB-ASSY(L.H)	1	1	
15	8CR-21939-00	.BRACKET, CHAIN HOUSING	3	3	
16	8DN-21977-00	.CLAMP, FUEL PIPE	2	2	
17	8EK-21917-00	.PANEL, SUB FRAME 6	1	1	
18	8EK-21918-00	.PANEL, SUB-FRAME 7	1	1	
19	90267-48176	.RIVET, BLIND	4	4	
20	8EK-2194J-00	.STAY, MUFFLER	1	1	
21	90267-47186	.RIVET, BLIND	50	50	UR UN
	90267-47197	.RIVET, BLIND	10	10	UR UN
22	8CR-2198G-01	.COVER 2	1	1	
23	90461-05003	.CLAMP	2	2	
24	90461-06142	.CLAMP	1	1	
25	90462-05059	.CLAMP	1	1	
26	90461-10148	.CLAMP	1	1	



8FB1100-2150

FIG. 15 FRAME

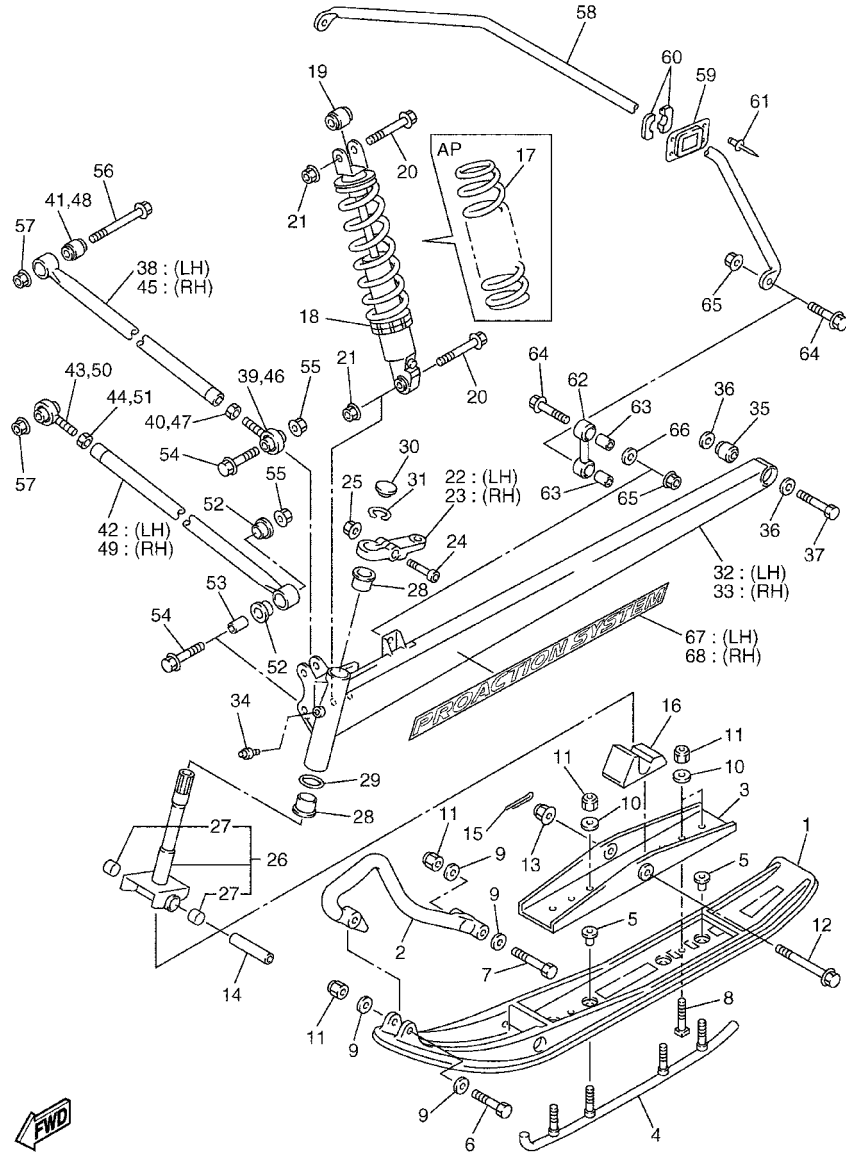
REF. NO.	PART NO.	DESCRIPTION	8FB1	8FB2	REMARKS
27	8DF-21941-00	PIPE, PIVOT 1	1	1	
28	8DF-21951-00	PIPE, PIVOT 2	1	1	
29	90269-07080	RIVET	16	16	
30	8DN-2198F-00	COVER 1	2	2	
31	8CR-2195E-00	PLATE, STRG BRACKET 1	2	2	
32	90267-47197	RIVET, BLIND	10	10	
33	8EK-21912-00	PANEL, SUB FRAME 1	1	1	
34	8EK-23788-00	PLATE, BACK UP	1	1	
35	8CR-77128-00	STAY 4	1	1	
36	8EK-2196A-00	FRAME UNDER 1	1	1	
37	8EK-2196E-00	FRAME, UNDER 2	1	1	
38	8EK-21972-00	BRACKET, GUARD FITTING	1	1	
39	90267-48018	RIVET, BLIND	34	34	
40	90201-05033	WASHER, PLATE	16	16	
41	90267-47187	RIVET, BLIND	18	18	
42	8EK-77512-00	BUMPER, FRONT 2	1	1	
43	95807-08020	BOLT, FLANGE	4	4	
44	8EK-21949-00	BRACKET, FRONT	1	1	
45	8EK-21959-00	BRACKET, FRONT BUMPER	1	1	
46	95607-08200	NUT, SELF-LOCKING	4	4	
47	95807-08035	BOLT, FLANGE	4	4	
48	90387-08015	COLLAR	4	4	
49	95707-08500	NUT, FLANGE	4	4	
50	90267-48018	RIVET, BLIND	2	2	
51	8DJ-14728-00	PROTECTOR, MUFFLER 2	1	1	
52	8EK-21923-00	REINFORCEMENT, FRAME REAR 1	1	1	
53	90267-47195	RIVET, BLIND	9	9	



8FB1100-2150

FIG. 15 FRAME

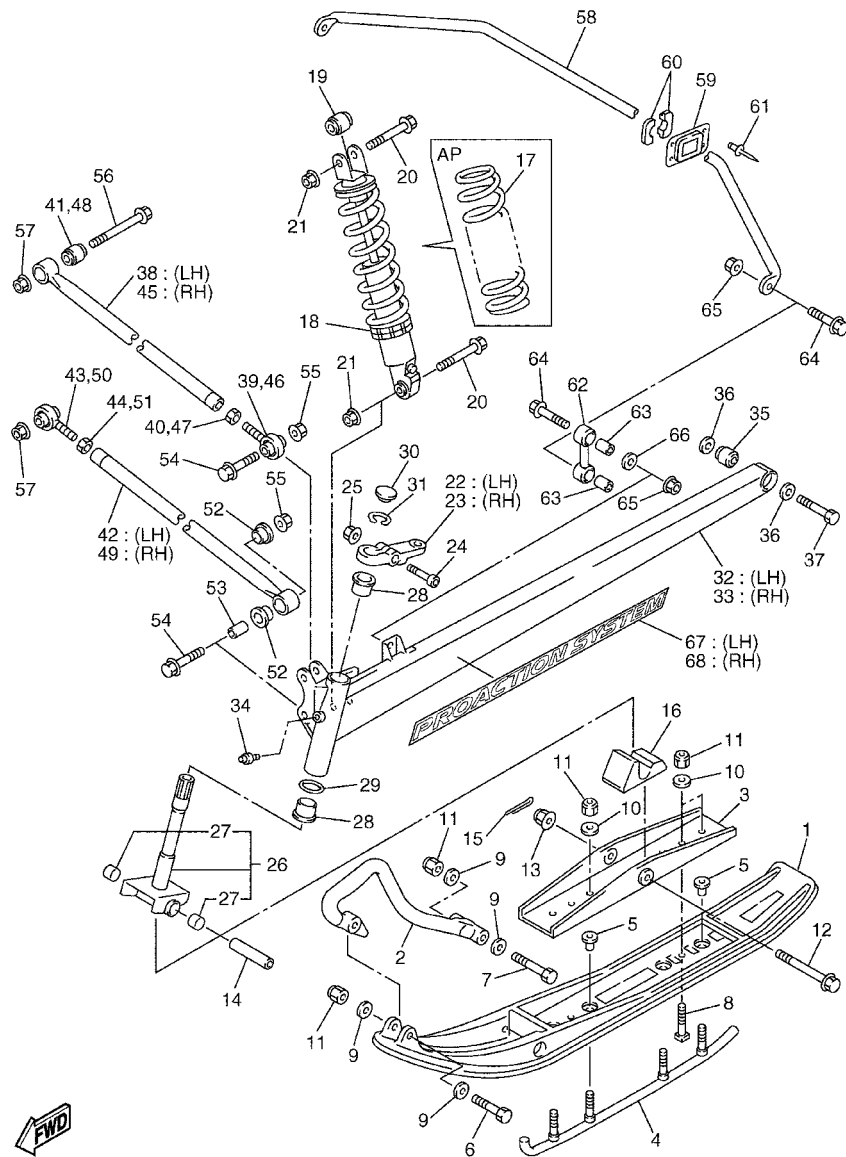
REF. NO.	PART NO.	DESCRIPTION	8FB1	8FB2			REMARKS
54	8CR-21973-00	HOOK	1	1			
55	90267-48169	RIVET, BLIND	3	3			
56	8EK-21921-00	REINFORCEMENT, FRAME REAR 1	1	1			
57	90105-10617	BOLT, FLANGE	6	6			
58	95827-10065	BOLT, FLANGE	1	1			
59	95707-10500	NUT, FLANGE	1	1			
60	92907-10200	WASHER, PLAIN	3	3			
61	90338-44093	PLUG	3	3			
62	90338-30256	PLUG	1	1			
63	8DF-21998-10	SPACER	1	1			
64	8EK-77261-00	LINING, SHROUD 1	1	1			
65	8EK-77262-00	LINING, SHROUD 2	1	1			
66	8EK-77263-00	LINING, SHROUD 3	1	1			
67	8EK-77264-00	LINING, SHROUD 4	1	1			
68	8EK-77265-00	LINING, SHROUD 5	1	1			
69	8EK-77266-00	LINING, SHROUD 6	1	1			
70	8EK-77267-00	LINING, SHROUD 7	1	1			
71	8EK-77268-00	LINING, SHROUD 8	1	1			
72	8EK-77269-00	LINING, SHROUD 9	1	1			
73	8DN-21978-00	PROTECTOR, FRAME	2				
	8DN-21978-00	PROTECTOR, FRAME		2			AP
74	90267-50004	RIVET, BLIND	16				
	90267-50004	RIVET, BLIND		16			AP
75	8DY-2197E-00	PROTECTOR, FRAME	2				AP
76	90267-48016	RIVET, BLIND	6				AP



8EK1100-2160

FIG. 16 SKI

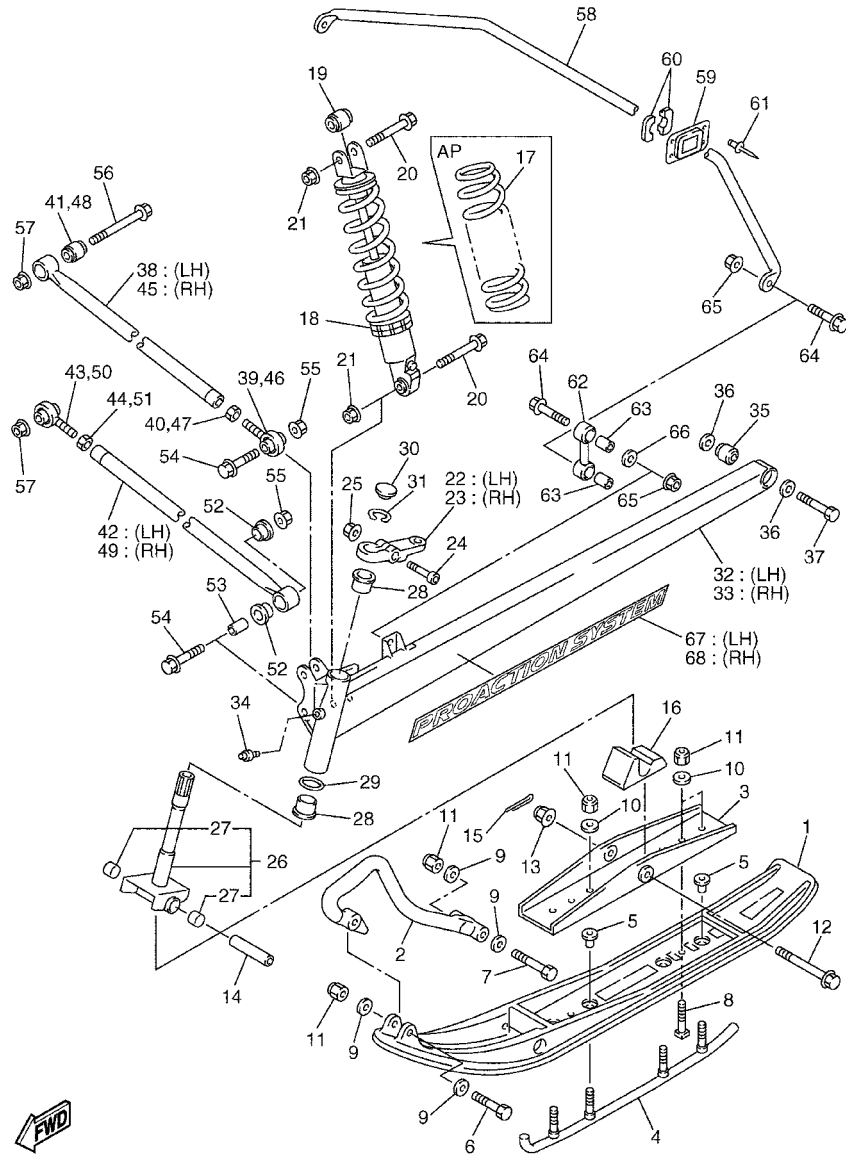
REF. NO.	PART NO.	DESCRIPTION	8FB1	8FB2	REMARKS
1	8EK-F3711-00	SKI 1	2		
	8EK-23711-00	SKI 1		2	
2	8FB-F3712-00	REINFORCEMENT, HEAD	2		
	8FB-23712-00	REINFORCEMENT, HEAD		2	
3	8EK-F3766-00	SADDLE 1	2		
	8EK-23766-00	SADDLE 1		2	
4	8EK-F3731-00	RUNNER 1	2		
	8EK-23731-00	RUNNER 1		2	
5	8EK-F3751-00	BUSH, SKI 1	8		
	8EK-23751-00	BUSH, SKI 1		8	
6	9702M-08055	BOLT	2		
	97027-08055	BOLT		2	
7	9702M-08100	BOLT	2		
	97027-08100	BOLT		2	
8	90108-08002	BOLT, SQUARE	4	4	
9	90201-08784	WASHER, PLATE	8	8	
10	90201-086P8	WASHER, PLATE	12	12	
11	9570M-08300	NUT, FLANGE	16		
	95707-08300	NUT, FLANGE		16	
12	90105-10712	BOLT, FLANGE	2	2	
13	95607-10200	NUT, SELF-LOCKING	2	2	
14	90387-1012H	COLLAR	2	2	
15	91401-20020	PIN, COTTER	2	2	
16	8CR-23743-10	STOPPER 1	2	2	
17	8CX-23760-00	SPRING ASSY 1 (K=1.7)	1	1	AP
	8CX-23760-10	SPRING ASSY 1 (K=2.3)	1	1	AP
	8CH-23760-40	SPRING ASSY 1 (K=1.1-1.9-2.1)	1	1	AP



8EK1100-2160

FIG. 16 SKI

REF. NO.	PART NO.	DESCRIPTION	8FB1	8FB2	REMARKS
17	8CH-23760-50	SPRING ASSY 1 (K=1.3-2.4-2.8)	1	1	AP
	8CH-23760-60	SPRING ASSY 1 (K=1.5-2.3-3.1)	1	1	AP
18	8EK-2376A-00	ABSORBER ASSY 1	2		
	8EK-2376A-10	ABSORBER ASSY 1		2	
19	8CR-2376B-00	BUSH	2	2	
20	90105-100A9	BOLT, FLANGE	4	4	
21	95607-10200	NUT, SELF-LOCKING	4	4	
22	8EK-23851-00	ARM, OUTSIDE 1	1	1	
23	8EK-23852-00	ARM, OUTSIDE 2	1	1	
24	91314-08035	BOLT	2	2	
25	95604-08200	NUT, U FLANGE	2	2	
26	8EK-23803-00	COLUMN, SKI ASSY	2	2	
27	90384-16251	BUSH, BIMETAL FORMED	2	2	
28	90381-25115	BUSH, SOLID	4	4	
29	90201-301G3	WASHER, PLATE	2	2	
30	8CR-23741-10	CAP 1	2	2	
31	99009-25400	CIRCLIP	2	2	
32	8DM-2382E-10	ARM, FRONT 1	1	1	
33	8DM-2382F-10	ARM, FRONT 2	1	1	
34	93700-06004	NIPPLE, GREASE	2	2	
35	8CR-2516A-00	DAMPÉR	2	2	
36	90201-120T5	WASHER, PLATE	4	4	
37	90101-12780	BOLT	2	2	
38	8EK-2384E-00	ARM, CONTROL 1	1	1	
39	8EK-23823-00	JOINT 2	1	1	
40	95317-12600	NUT	1	1	
41	8EK-23775-00	INSERT	1	1	

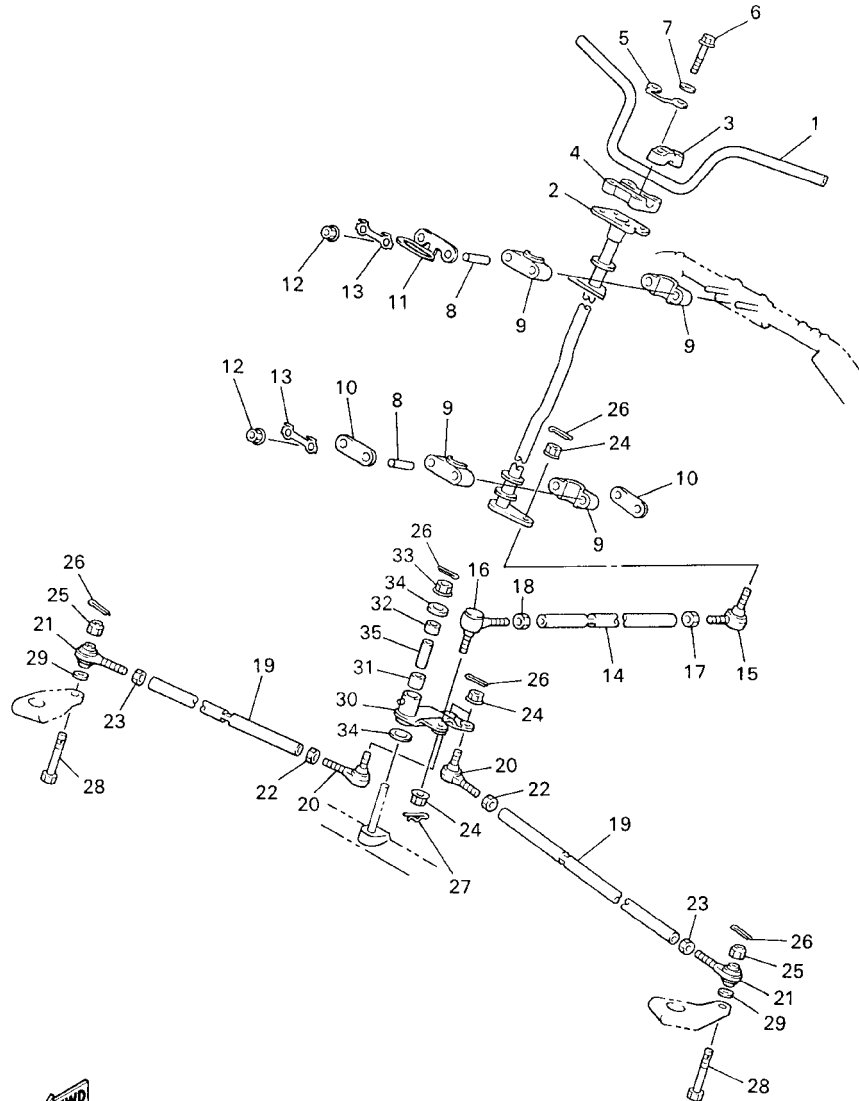


8EK1100-2160

FIG. 16 SKI

REF. NO.	PART NO.	DESCRIPTION	8FB1	8FB2	REMARKS
42	8EK-2384F-00	ARM, CONTROL 2	1	1	
43	8EK-23832-00	JOINT 3	1	1	
44	95314-14600	NUT	1	1	
45	8EK-2384E-00	ARM, CONTROL 1	1	1	
46	8EK-23823-00	JOINT 2	1	1	
47	95317-12600	NUT	1	1	
48	8EK-23775-00	INSERT	1	1	
49	8EK-2384F-00	ARM, CONTROL 2	1	1	
50	8EK-23832-00	JOINT 3	1	1	
51	95314-14600	NUT	1	1	
52	90381-17110	BUSH, SOLID	4	4	
53	90387-1009K	COLLAR	2	2	
54	90105-100A9	BOLT, FLANGE	4	4	
55	95607-10200	NUT, SELF-LOCKING	4	4	
56	90105-12010	BOLT, FLANGE	4	4	
57	95607-12200	NUT, SELF-LOCKING	4	4	
58	8CR-2386E-00	BAR, STABILIZER FRONT	1	1	
59	8CR-2386H-00	COVER, STABILIZER FRONT	2	2	
60	8CR-2386G-00	BUSH, STABILIZER FRONT	4	4	
61	90267-47186	RIVET, BLIND	6	6	
62	8DF-2385L-00	JOINT, STABILIZER 1	2	2	
63	90387-087L3	COLLAR	4	4	
64	90105-08345	BOLT, FLANGE	4	4	
65	95607-08200	NUT, SELF-LOCKING	4	4	
66	90201-086P8	WASHER, PLATE	2	2	
67	8EA-77371-30	EMBLEM 15	1	1	
68	8EA-77372-30	EMBLEM 16	1	1	

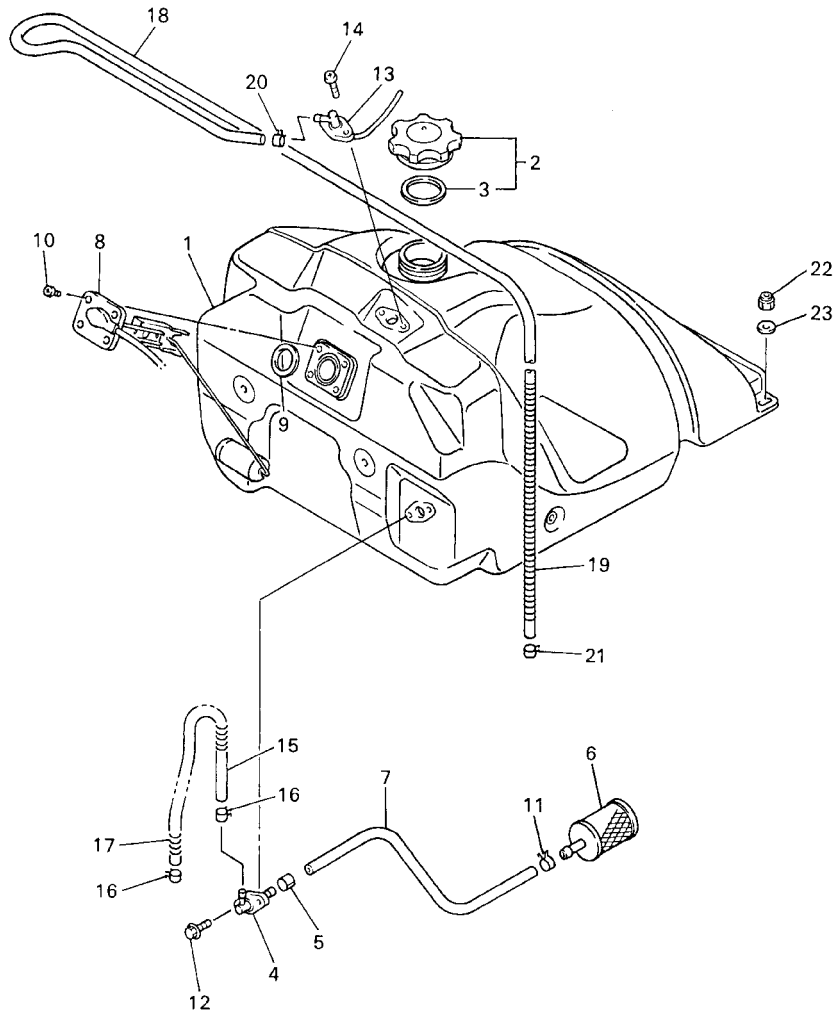
FIG. 17 STEERING



FWD
8EK1100-2170

REF. NO.	PART NO.	DESCRIPTION	8FB1	8FB2	REMARKS
1	8EK-26110-10	HANDLE COMP.	1	1	
2	8EG-23813-00	COLUMN, STEERING 2	1	1	
3	8K1-23814-00	HOLDER, HANDLE	2	2	
4	8ED-23442-00	HOLDER, HANDLE LOWER	1	1	
5	8DF-23857-00	HOLDER	1	1	
6	97027-08055	BOLT	4	4	
7	92907-08600	WASHER, PLATE	4	4	
8	90387-090R0	COLLAR	4	4	
9	8DF-23812-00	PLANE BEARING, STEERING	4	4	
10	8CR-23872-00	HOLDER, BEARING	2	2	
11	8CJ-23872-00	HOLDER, BEARING	1	1	
12	95707-08300	NUT, FLANGE	4	4	
13	1UY-23894-01	WASHER, LOCK 1	2	2	
14	8CR-23821-00	ROD, STEERING RELAY	1	1	
15	8CR-23845-00	JOINT, UNIVERSAL 2	1	1	
16	8CR-23847-00	JOINT, UNIVERSAL 3	1	1	
17	95307-10700	NUT	1	1	
18	90170-10186	NUT	1	1	(L.H. THREAD)
19	8CR-23831-00	ROD, TIE	2	2	
20	8CR-23845-00	JOINT, UNIVERSAL 2	2	2	
21	87S-23847-00	JOINT, UNIVERSAL 3	2	2	(L.H. THREAD)
22	95307-10700	NUT	2	2	
23	90170-10186	NUT	2	2	(L.H. THREAD)
24	95707-10500	NUT, FLANGE	4	4	
25	95707-10300	NUT, FLANGE	2	2	
26	91401-25020	PIN, COTTER	6	6	
27	90468-12006	CLIP	1	1	

FIG. 19 FUEL TANK



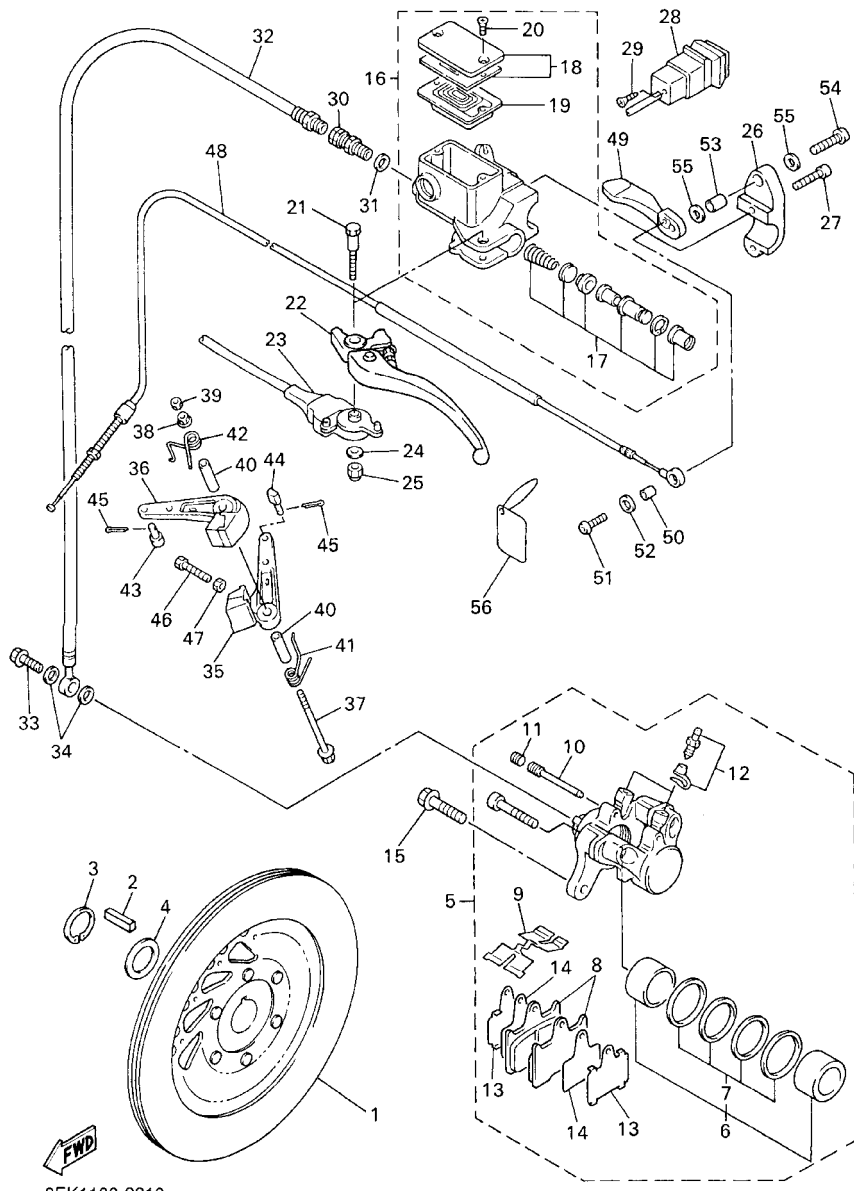
FWD

8EK1100-2190

REF. NO.	PART NO.	DESCRIPTION	8FB1	8FB2	REMARKS
1	8EK-24111-00	TANK, FUEL	1	1	
2	8CW-24610-00	CAP ASSY	1	1	
3	8CW-24612-00	.GASKET, CAP	1	1	
4	8CR-24301-00	SUCTION PIPE COMP. 1	1	1	
5	90468-04092	CLIP	1	1	
6	8H5-24560-00	FILTER ASSY	1	1	
7	8CR-24335-00	PIPE, SUCTION 1	1	1	
8	8CW-85752-00	SENDER UNIT ASSY, FUEL METER	1	1	
9	93210-41041	O-RING	1	1	
10	98907-05008	SCREW, BIND	4	4	
11	90467-11032	CLIP	1	1	
12	90105-060A6	BOLT, FLANGE	2	2	
13	8CR-2418A-00	BREATHER COMP.	1	1	
14	90149-06330	SCREW	2	2	
15	8CR-24311-10	PIPE, FUEL 1	1	1	
16	90467-11032	CLIP	2	2	
17	90501-08668	SPRING, COMPRESSION	1	1	
18	91A20-05115	TUBE, FLEXIBLE VINYL	1	1	
19	90501-08430	SPRING, COMPRESSION	1	1	
20	90468-02078	CLIP	1	1	
21	90467-09001	CLIP	1	1	
22	95707-08300	NUT, FLANGE	2	2	
23	90201-08784	WASHER, PLATE	2	2	

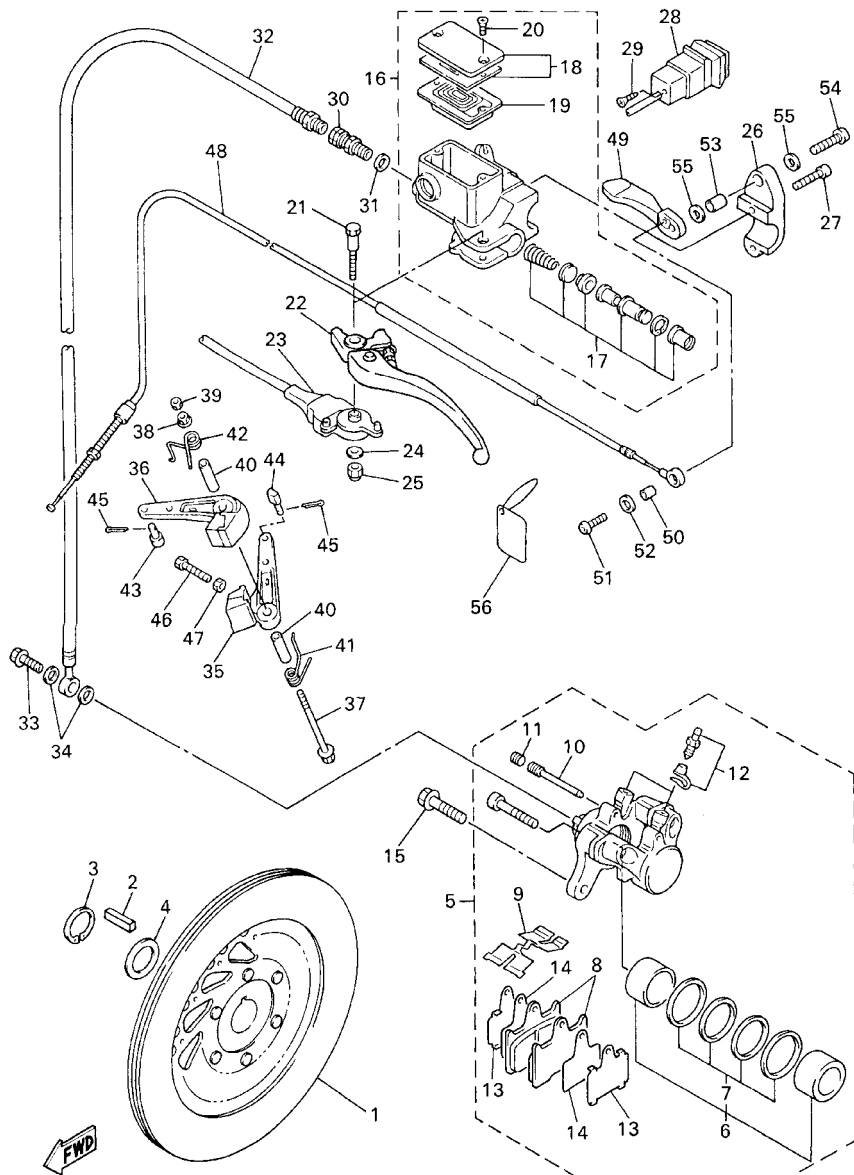
FIG. 21 BRAKE

REF. NO.	PART NO.	DESCRIPTION	8FB1	8FB2	REMARKS
1	8DN-2581T-00	DISC BRAKE ASSY	1	1	
2	90281-07004	KEY, SLIDING	1	1	
3	93410-27080	CIRCLIP	1	1	
4	90201-270U5	WASHER, PLATE	1	1	
5	8DF-2580T-01	CALIPER ASSY (LEFT)	1	1	
6	8CR-W0057-00	.PISTON ASSY, CALIPER	1	1	
7	8CR-W0047-00	..CALIPER SEAL KIT	1	1	
8	8DF-W0046-00	.BRAKE PAD KIT 2	1	1	
9	8CR-25919-00	.SUPPORT, PAD	1	1	
10	8CR-25924-00	.PIN, PAD	1	1	
11	8CR-25926-00	.BOLT	1	1	
12	8CR-W0048-00	.BLEED SCREW KIT	2	2	
13	8DF-2582F-00	.RETAINER	2	2	
14	8DF-25828-00	.SHIM, CALIPER	2	2	
15	90105-10634	BOLT, FLANGE	2	2	
16	8EK-W2587-00	MASTER CYLINDER SUB ASSY	1	1	
17	8CR-W0041-00	.CYLINDER KIT, MASTER	1	1	
18	8CR-W2585-00	.RESERVOIR CAP SET	1	1	
19	55U-25854-00	.DIAPHRAGM, RESERVOIR	1	1	
20	98706-04012	.SCREW, FLAT HEAD	2	2	
21	8CR-2589F-00	BOLT, LEVER	1	1	
22	8DN-83912-00	LEVER 1	1	1	
23	8CR-82530-01	STOP SWITCH ASSY	1	1	
24	8CR-8398X-00	WASHER, PLAIN	1	1	
25	95707-05300	NUT, FLANGE	1	1	
26	8CR-25867-00	HOLDER, MASTER CYLINDER	1	1	
27	91316-06022	BOLT	2	2	



8EK1100-2210

FIG. 21 BRAKE

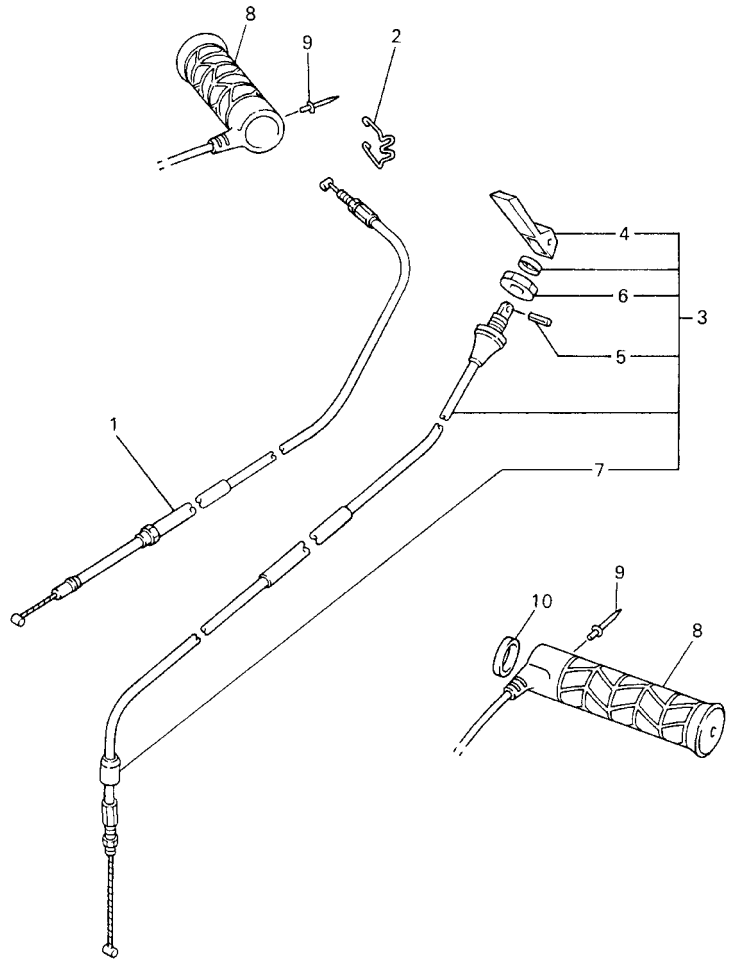


8EK1100-2210

REF. NO.	PART NO.	DESCRIPTION	8FB1	8FB2	REMARKS
28	8EK-83950-00	BEAM SWITCH ASSY	1	1	
29	8CR-2589H-00	SCREW	1	1	
30	3LC-25885-00	JOINT	1	1	
31	90201-10118	WASHER, PLATE	1	1	
32	8ED-25872-00	HOSE, BRAKE 1	1	1	
33	90401-10159	BOLT, UNION	1	1	
34	90201-10118	WASHER, PLATE	2	2	
35	8CR-25730-00	CALIPER BODY COMP.1	1	1	
36	8CR-25740-00	CALIPER BODY COMP. 2	1	1	
37	90105-08094	BOLT, FLANGE	1	1	
38	95707-08500	NUT, FLANGE	1	1	
39	95307-08700	NUT	1	1	
40	90387-084R5	COLLAR	2	2	
41	90508-291B2	SPRING, TORSION	1	1	
42	90508-291B1	SPRING, TORSION	1	1	
43	90249-06009	PIN	1	1	
44	90249-06012	PIN	1	1	
45	91490-20015	PIN, COTTER	2	2	
46	90101-06288	BOLT	1	1	
47	95307-06700	NUT	1	1	
48	8ED-26351-00	CABLE, BRAKE	1	1	
49	8CR-83922-00	LEVER 2	1	1	
50	90387-06043	COLLAR	1	1	
51	92017-06014	BOLT, BUTTON HEAD	1	1	
52	90201-06050	WASHER, PLATE	1	1	
53	90387-081M9	COLLAR	1	1	
54	92017-08020	BOLT, BUTTON HEAD	1	1	

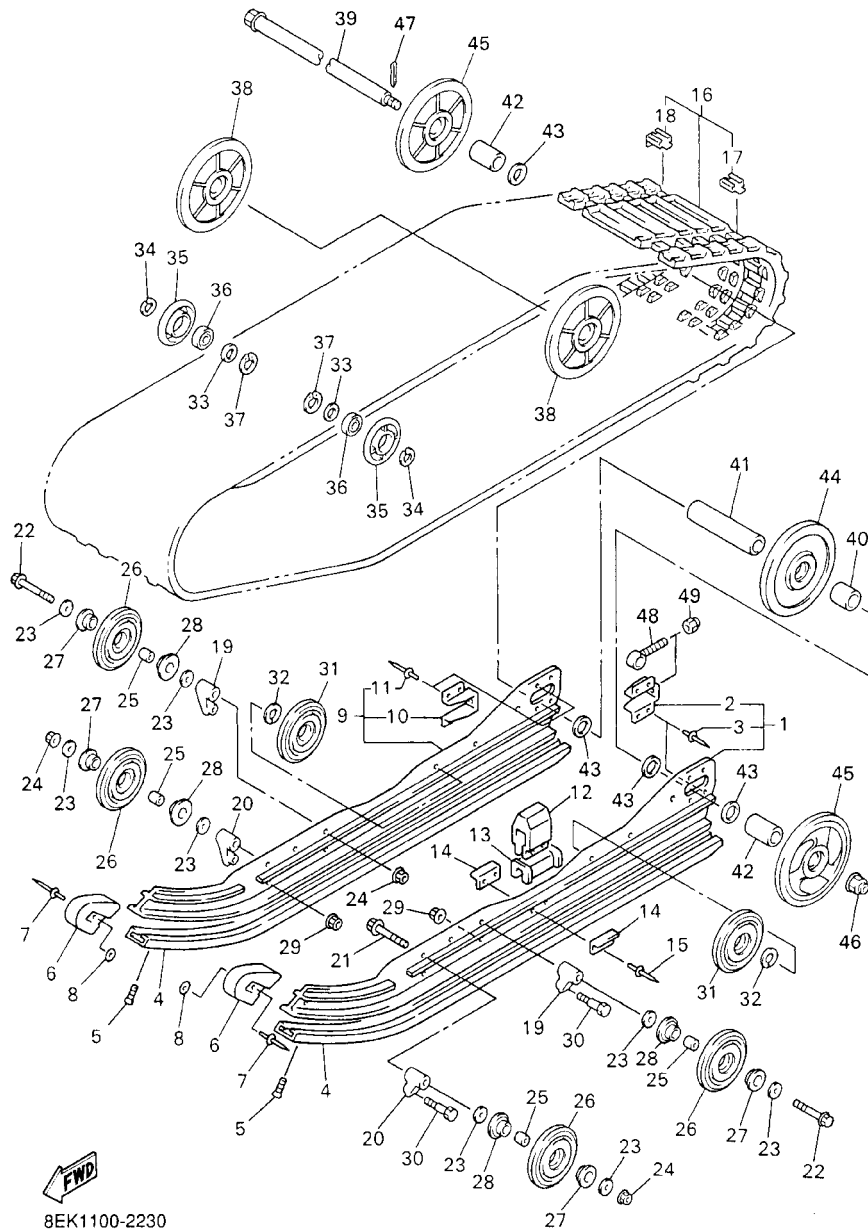
FIG. 22 CONTROL CABLE

REF. NO.	PART NO.	DESCRIPTION	8FB1	8FB2	REMARKS
1	8EK-26311-00	CABLE, THROTTLE 1	1	1	
2	8M6-26391-01	CLIP, CABLE	1	1	
3	8CH-26330-02	STARTER CABLE ASSY	1	1	
4	8U9-26325-00	.KNOB, STARTER	1	1	
5	91609-30010	.PIN, SPRING	1	1	
6	8G8-26333-00	.NUT	1	1	
7	8CR-26329-00	.CAP, RUBBER	1	1	
8	8DM-26240-00	GRIP ASSY	2	2	
9	90267-48014	RIVET, BLIND	2	2	
10	90387-220X0	COLLAR	1	1	



FWD
8EK1100-2220

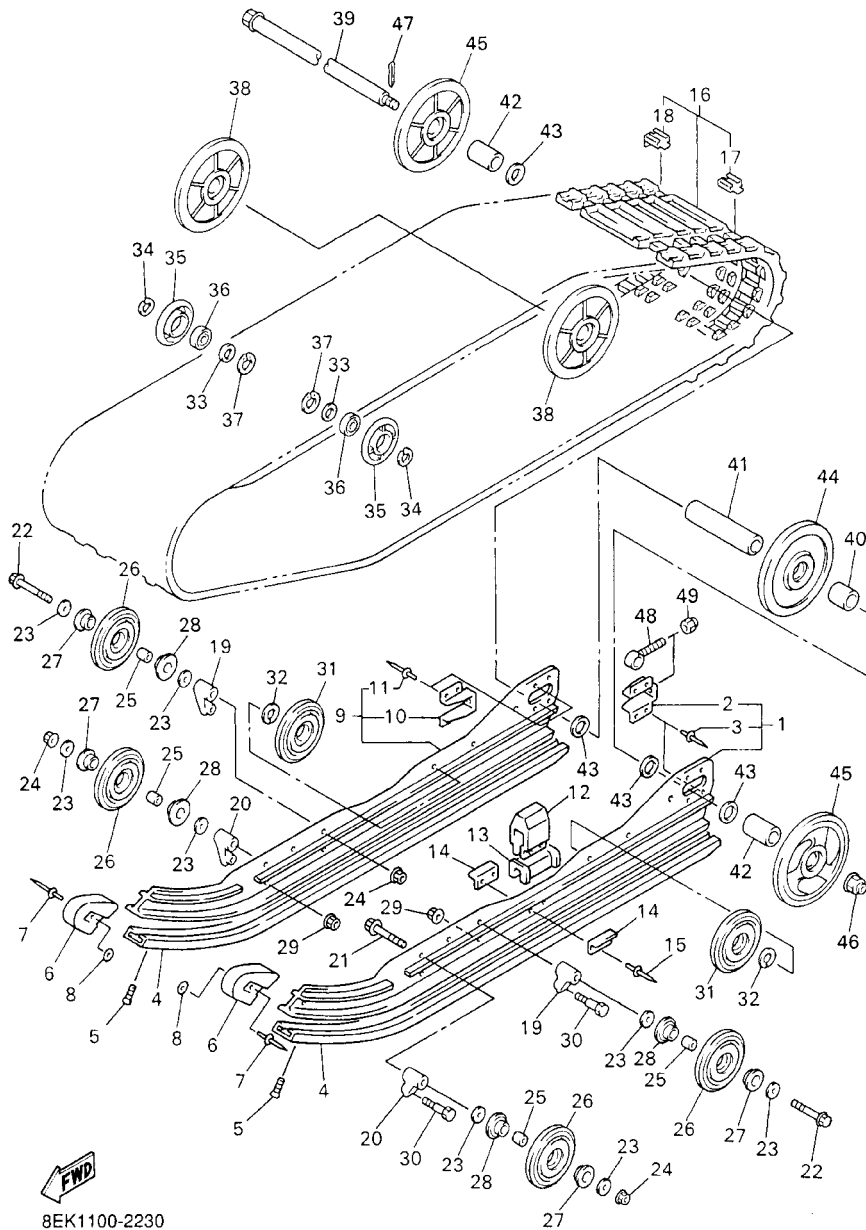
FIG. 23 TRACK SUSPENSION 1



8EK1100-2230

REF. NO.	PART NO.	DESCRIPTION	8FB1	8FB2	REMARKS
1	8EA-47411-00	FRAME, SLIDING 1	1	1	
2	8V0-4741B-00	.BRACKET	1	1	
3	8V0-47468-00	.RIVET	4	4	
4	8CM-47421-40	RUNNER, SLIDING 1	2	2	
5	90151-06010	SCREW, COUNTERSUNK	2	2	
6	8CM-47422-10	RUNNER, SLIDING 2	2	2	
7	90267-48194	RIVET, BLIND	2	2	
8	90201-047R8	WASHER, PLATE	2	2	
9	8EA-47412-00	FRAME, SLIDING 2	1	1	
10	8V0-4741B-00	.BRACKET	1	1	
11	8V0-47468-00	.RIVET	4	4	
12	8CM-47457-00	DAMPER 2	2	2	
13	8CM-47341-00	SPACER	2	2	
14	8AX-47458-00	PLATE, DAMPER	4	4	
15	90267-48199	RIVET, BLIND	4	4	
16	8EK-47110-00	TRACK ASSY	1		
	8DN-47110-01	TRACK ASSY		1	
17	8EA-47113-00	.PLATE, REINFORCEMENT	48	48	
18	8EA-47115-30	.METAL, SLIDE	48	48	
19	8DF-47419-00	BRACKET 7	2	2	
20	8DF-47419-10	BRACKET 7	2	2	
21	90105-10392	BOLT, FLANGE	2	2	
22	95817-10085	BOLT, FLANGE	2	2	
23	90201-100S0	WASHER, PLATE	8	8	
24	95607-10200	NUT, SELF-LOCKING	4	4	
25	90387-10079	COLLAR	4	4	
26	8CR-47310-10	SUSPENSION WHEEL ASSY	4	4	

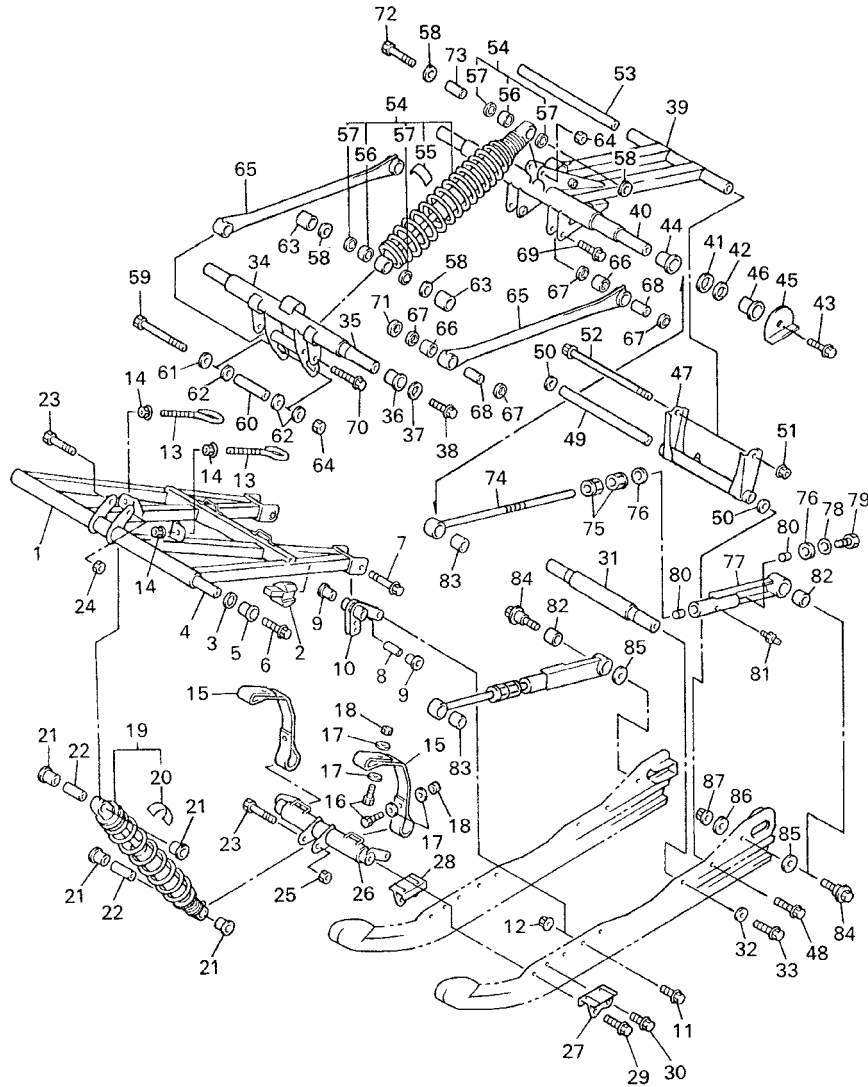
FIG. 23 TRACK SUSPENSION 1



8EK1100-2230

REF. NO.	PART NO.	DESCRIPTION	8FB1	8FB2				REMARKS
27	8CR-47341-01	SPACER	4	4				
28	8CR-47341-11	SPACER	4	4				
29	95607-08200	NUT, SELF-LOCKING	4	4				
30	90101-08774	BOLT	4	4				
31	8CR-47310-10	SUSPENSION WHEEL ASSY	2	2				
32	99009-25400	CIRCLIP	2	2				
33	90387-2004V	COLLAR	2	2				
34	99009-20400	CIRCLIP	2	2				
35	8H8-47320-00	SUSPENSION WHEEL COMP.	2	2				
36	93306-00444	BEARING	2	2				
37	99009-42500	CIRCLIP	2	2				
38	8EK-47550-00	GUIDE WHEEL ASSY	2	2				
39	8L8-47520-02	REAR AXLE COMP.	1	1				
40	90387-2012E	COLLAR	1	1				
41	90387-2012C	COLLAR	1	1				
42	90387-2012D	COLLAR	2	2				
43	90201-205R6	WASHER, PLATE	4	4				
44	8CR-47550-10	GUIDE WHEEL ASSY	1	1				
45	8EK-47550-10	GUIDE WHEEL ASSY	2	2				
46	95607-14200	NUT, SELF-LOCKING	1	1				
47	91401-30025	PIN, COTTER	1	1				
48	8K2-47479-01	COLLAR 3	2	2				
49	95707-10300	NUT, FLANGE	2	2				

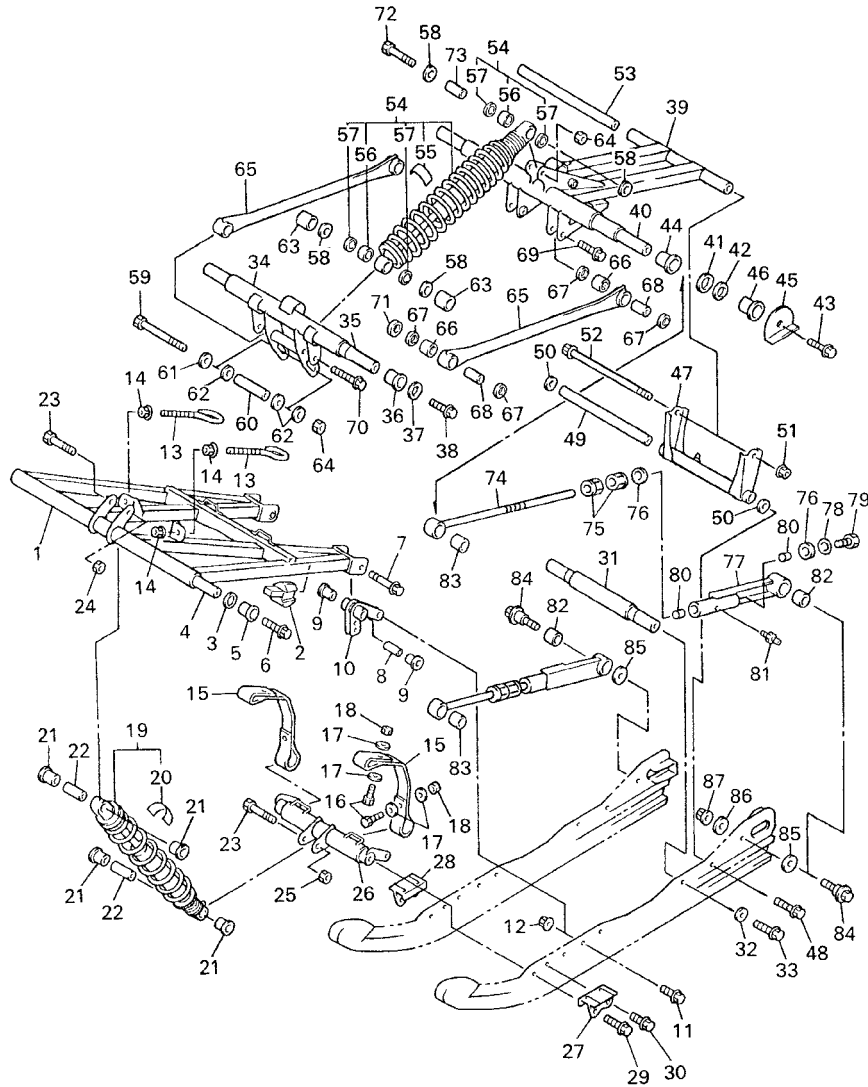
FIG. 24 TRACK SUSPENSION 2



8EK1100-2240

REF. NO.	PART NO.	DESCRIPTION	8FB1	8FB2	REMARKS
1	8CV-47331-01	ARM, PIVOT 1	1	1	
2	8DF-47456-10	DAMPER 1	2	2	
3	90201-210U0	WASHER, PLATE	2	2	
4	8CR-47465-00	SHAFT 1	1	1	
5	90381-19111	BUSH, SOLID	2	2	
6	90105-103A1	BOLT, FLANGE	2	2	
7	90105-10769	BOLT, FLANGE	2	2	
8	90387-1009T	COLLAR	2	2	
9	90381-15112	BUSH, SOLID	4	4	
10	8CR-47415-00	BRACKET 1	2	2	
11	95817-10025	BOLT, FLANGE	2	2	
12	95607-10200	NUT, SELF-LOCKING	2	2	
13	8CR-47448-00	HOOK 3	2	2	
14	95707-08500	NUT, FLANGE	4	4	
15	8CR-47495-00	STOPPER 1	2	2	
16	97007-06025	BOLT	4	4	
17	90201-06747	WASHER, PLATE	8	8	
18	95707-06300	NUT, FLANGE	4	4	
19	8EK-47481-00	SHOCK ABSORBER 2	1		
	8EK-47481-10	SHOCK ABSORBER 2		1	
20	4AA-22259-60	.LABEL, WARNING	1		
	4AA-22259-40	.LABEL, WARNING		1	
21	90381-14101	BUSH, SOLID	4	4	
22	90387-105G5	COLLAR	2	2	
23	90101-10738	BOLT	2	2	
24	90185-10110	NUT, SELF-LOCKING	1	1	
25	95607-10100	NUT, U	1	1	

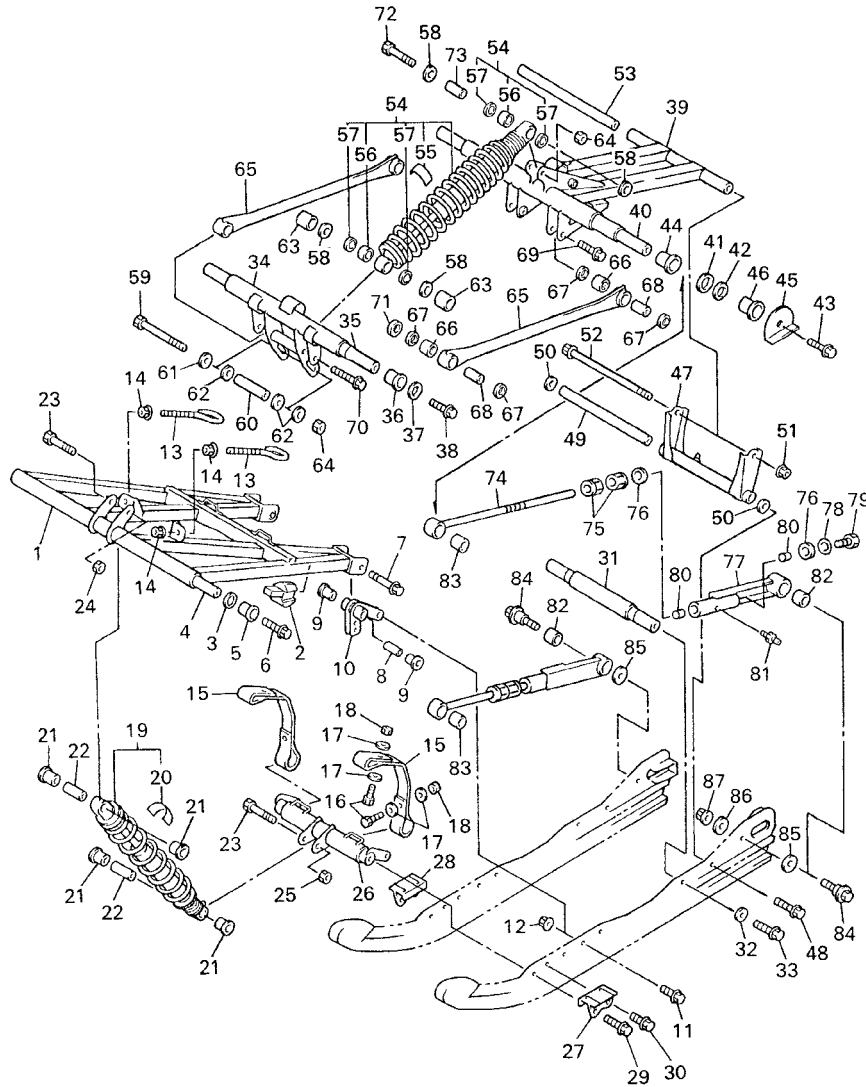
FIG. 24 TRACK SUSPENSION 2



8EK1100-2240

REF. NO.	PART NO.	DESCRIPTION	8FB1	8FB2	REMARKS
26	8EA-47418-00	BRACKET 4	1	1	
27	8DF-47463-01	BRACKET 5	1	1	
28	8DF-47464-01	BRACKET 6	1	1	
29	90105-10433	BOLT, FLANGE	2	2	
30	90105-08450	BOLT, FLANGE	2	2	
31	8CR-47486-00	SHAFT 4	1	1	
32	90201-100L3	WASHER, PLATE	2	2	
33	90105-10433	BOLT, FLANGE	2	2	
34	8CR-47416-10	BRACKET 2	1	1	
35	8CR-47488-00	SHAFT 6	1	1	
36	90381-22099	BUSH, SOLID	2	2	
37	90201-207J5	WASHER, PLATE	2	2	
38	90105-103A1	BOLT, FLANGE	2	2	
39	8CR-47332-10	ARM, PIVOT 2	1	1	
40	8CR-47475-00	SHAFT 2	1	1	
41	90201-251G8	WASHER, PLATE	2	2	
42	90201-250T6	WASHER, PLATE	2	2	
43	90105-103A1	BOLT, FLANGE	2	2	
44	90381-28108	BUSH, SOLID	2	2	
45	8CR-47426-21	BRACKET, REAR 1	2	2	
46	8CR-47425-00	BRACKET, REAR 2	2	2	
47	8CR-47417-01	BRACKET 3	1	1	
48	90105-10433	BOLT, FLANGE	2	2	
49	82M-47485-02	SHAFT 3	1	1	
50	90201-10136	WASHER, PLATE	2	2	
51	95607-08200	NUT, SELF-LOCKING	1	1	
52	95827-08220	BOLT, FLANGE	1	1	

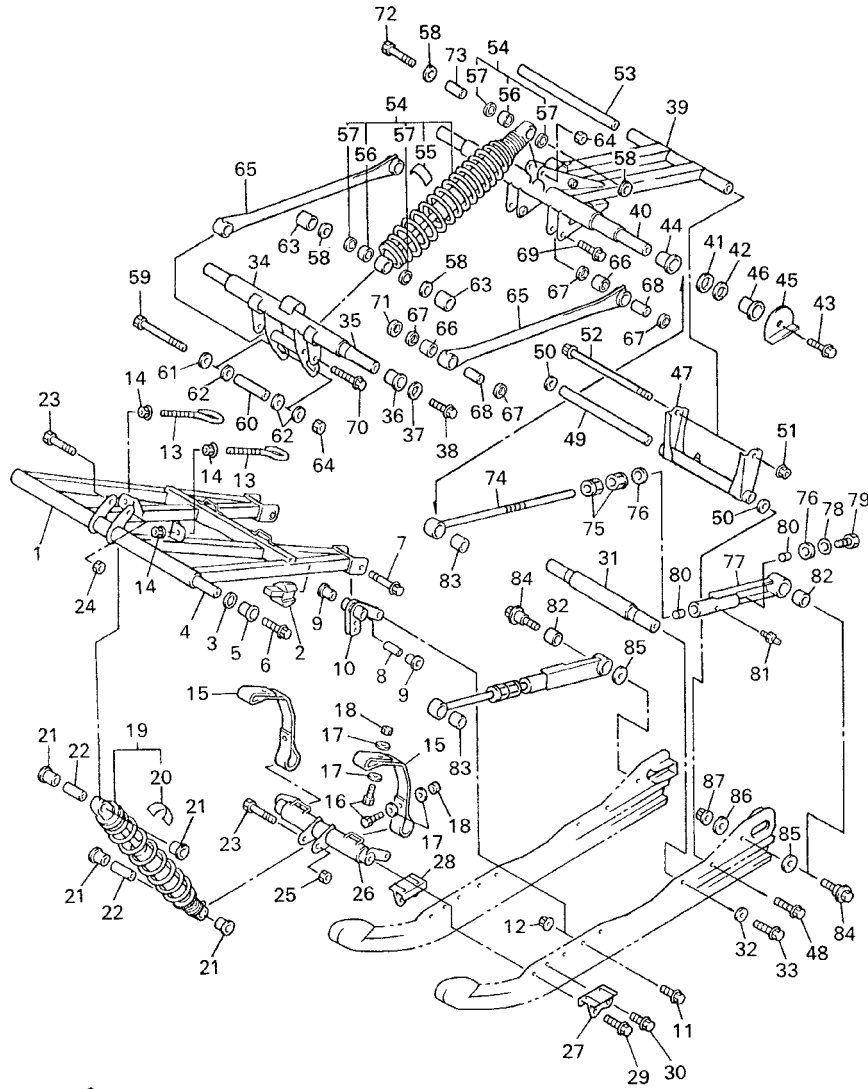
FIG. 24 TRACK SUSPENSION 2



8EK1100-2240

REF. NO.	PART NO.	DESCRIPTION	8FB1	8FB2	REMARKS
53	90387-083G6	COLLAR	1	1	
54	8CH-47480-40	SHOCK ABSORBER	1		
	8CH-47480-50	SHOCK ABSORBER		1	
55	4AA-22259-60	.LABEL, WARNING	1		
	4AA-22259-40	.LABEL, WARNING		1	
56	93315-21454	.BEARING	2	2	
57	93109-14021	.OIL SEAL	4	4	
58	90202-14226	WASHER, PLATE	4	4	
59	8AC-4631K-00	BOLT, ADJUSTING	1	1	
60	90387-1009S	COLLAR	1	1	
61	90201-103U4	WASHER, PLATE	1	1	
62	90201-100U1	WASHER, PLATE	3	3	
63	90387-1404R	COLLAR	2	2	
64	95607-10100	NUT, U	2	2	
65	8CX-47494-01	ROD, RELAY	2	2	
66	93315-21455	BEARING	4	4	
67	93109-14021	OIL SEAL	8	8	
68	90387-1007M	COLLAR	4	4	
69	90105-10739	BOLT, FLANGE	2	2	
70	90105-10436	BOLT, FLANGE	2	2	
71	90201-100U1	WASHER, PLATE	2	2	
72	90101-10738	BOLT	1	1	
73	90387-1007N	COLLAR	1	1	
74	8EK-4745A-00	ROD, CONTROL 1	2	2	
75	8EK-4745C-00	ROD, CONTROL 3	4	4	
76	90202-16229	WASHER, PLATE	4	4	
77	8CR-4745B-00	ROD, CONTROL 2	2	2	

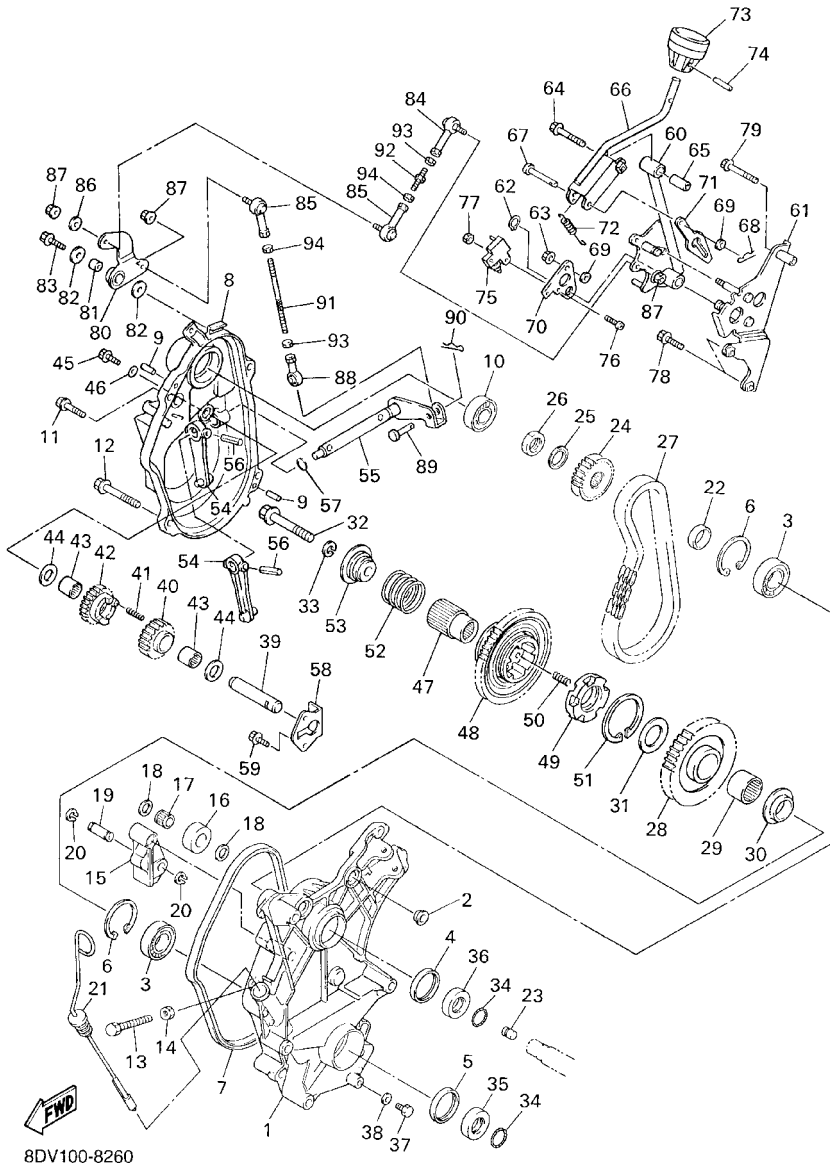
FIG. 24 TRACK SUSPENSION 2



8EK1100-2240

REF. NO.	PART NO.	DESCRIPTION	8FB1	8FB2	REMARKS
78	90201-106F2	WASHER, PLATE	2	2	
79	97027-10025	BOLT	2	2	
80	90384-16251	BUSH, BIMETAL FORMED	4	4	
81	93700-06004	NIPPLE, GREASE	2	2	
82	90380-22232	BUSH, SOLID	2	2	
83	90380-28235	BUSH, SOLID	2	2	
84	8DF-47367-00	SCREW, REAR PIVOT	2	2	
85	90201-100S2	WASHER, PLATE	2	2	
86	90201-101U2	WASHER, PLATE	2	2	
87	95607-10200	NUT, SELF-LOCKING	2	2	

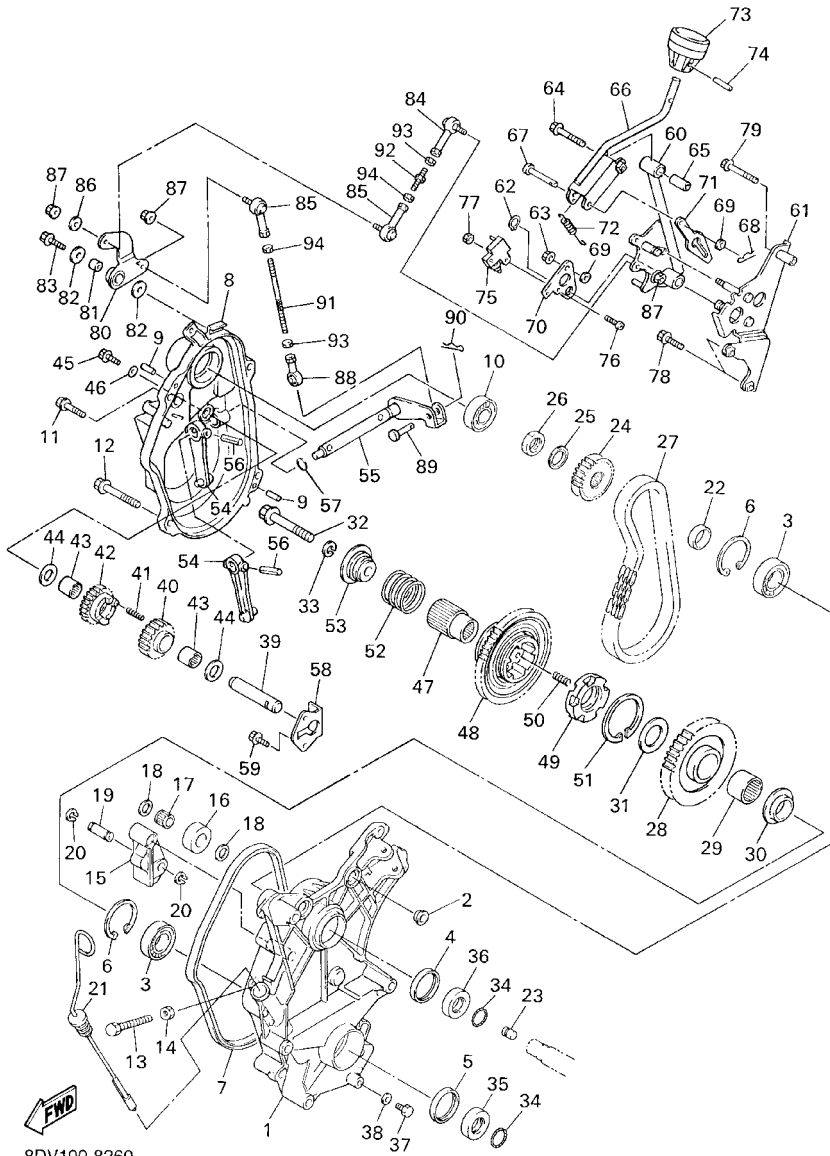
FIG. 26 TRACK DRIVE 2



8DV100-8260

REF. NO.	PART NO.	DESCRIPTION	8FB1	8FB2	REMARKS
1	8CR-47541-01	HOUSING, CHAIN	1	1	
2	90179-10679	NUT	2	2	
3	93306-20592	BEARING	2	2	
4	93102-35473	OIL SEAL	1	1	
5	93102-35318	OIL SEAL	1	1	
6	99009-52500	CIRCLIP	2	2	
7	8CR-47558-01	RING, HOUSING	1	1	
8	8CW-47543-02	CAP, HOUSING	1	1	
9	93606-20044	PIN, DOWEL	2	2	
10	93306-20402	BEARING (B6204JRC3)	1	1	
11	95827-08030	BOLT, FLANGE	4	4	
12	95827-10060	BOLT, FLANGE	3	3	
13	90101-10357	BOLT	1	1	
14	95307-10600	NUT	1	1	
15	8CR-47613-00	HOLDER	1	1	
16	8CR-47612-00	WHEEL	1	1	
17	93315-21227	BEARING	1	1	
18	90201-127E1	WASHER, PLATE	2	2	
19	90249-12227	PIN	1	1	
20	99009-12400	CIRCLIP	2	2	
21	8CR-47546-00	LEVEL, OIL	1	1	
22	90387-2508D	COLLAR	1	1	
23	82M-17699-00	PLUG, OIL	1	1	
24	8DW-17682-20	SPROCKET, CHAIN DRIVE (22T)	1	1	
25	90208-22001	WASHER, CONICAL SPRING	1	1	
26	90170-22094	NUT	1	1	
27	94890-09068	CHAIN (68L)	1	1	

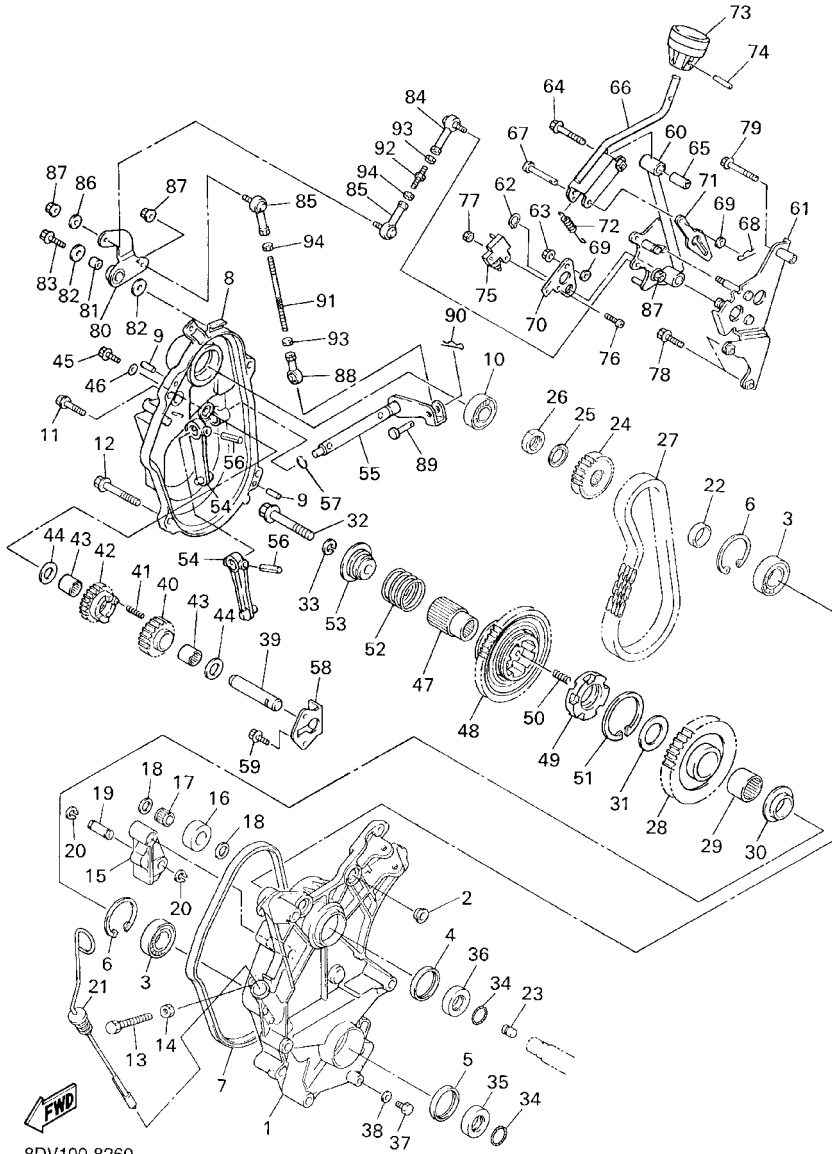
FIG. 26 TRACK DRIVE 2



8DV100-8260

REF. NO.	PART NO.	DESCRIPTION	8FB1	8FB2	REMARKS
28	8FB-47587-80	SPROCKET, CHAIN DRIVEN (38T)	1	1	
29	93317-33179	BEARING	1	1	
30	90387-2008G	COLLAR	1	1	
31	90201-320S3	WASHER, PLATE	1	1	
32	90105-100A7	BOLT, FLANGE	1	1	
33	92907-10100	WASHER, SPRING	1	1	
34	93210-25071	O-RING	2	2	
35	90387-2508C	COLLAR	1	1	
36	90387-2511J	COLLAR	1	1	
37	97007-08014	BOLT	1	1	
38	90210-08017	WASHER, SEAL	1	1	
39	8CW-1761A-00	SHAFT, 1	1	1	
40	8FB-17692-00	SPROCKET, DRIVE	1	1	
41	90501-06022	SPRING, COMPRESSION	1	1	
42	8CW-17143-00	GEAR, REVERSE PINION 1	1	1	
43	93317-21578	BEARING	2	2	
44	90201-16245	WASHER, PLATE	2	2	
45	90105-060A6	BOLT, FLANGE	1	1	
46	90210-06006	WASHER, SEAL	1	1	
47	8CW-47571-00	JOURNAL 1	1	1	
48	8CW-17243-00	GEAR, REVERSE WHEEL 1	1	1	
49	8CW-17492-00	DOG, TRANSMISSION SHIFT	1	1	
50	90501-066J5	SPRING, COMPRESSION	5	5	
51	93440-39175	CIRCLIP	1	1	
52	90501-326J6	SPRING, COMPRESSION	1	1	
53	8CW-47564-00	COLLAR	1	1	
54	8CW-18511-00	FORK, SHIFT 1	2	2	

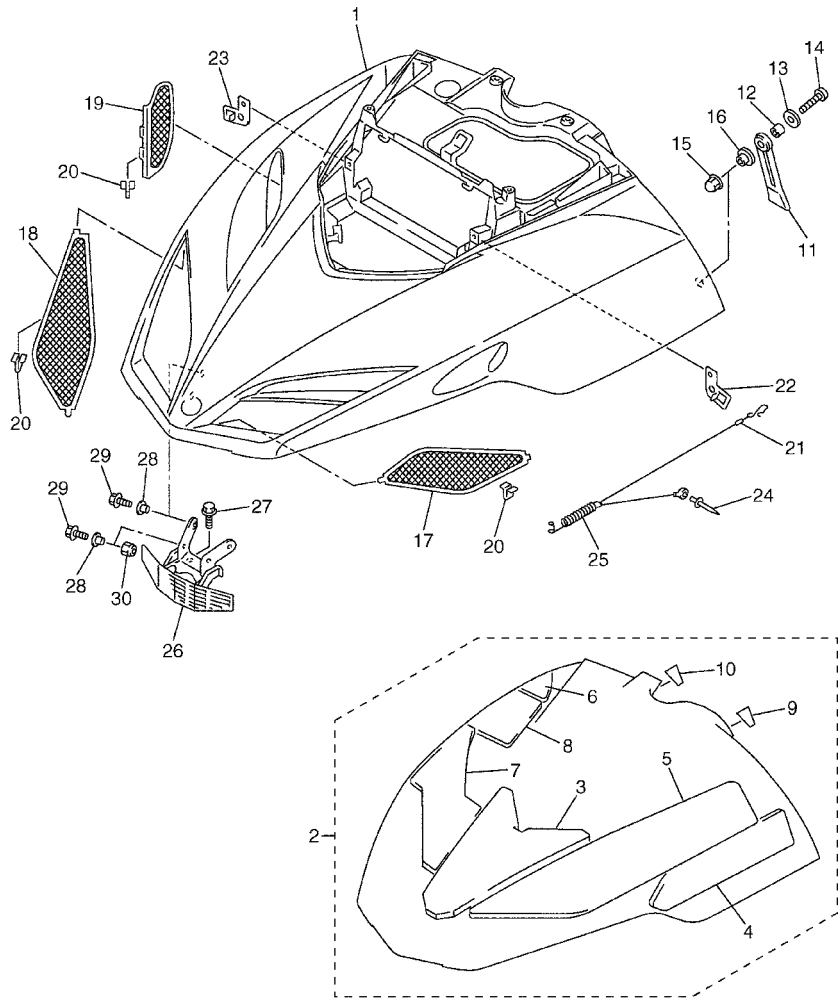
FIG. 26 TRACK DRIVE 2



8DV100-8260

REF. NO.	PART NO.	DESCRIPTION	8FB1	8FB2	REMARKS
55	8CW-18197-00	SHAFT	1	1	
56	91609-50022	PIN, SPRING	2	2	
57	93210-12131	O-RING	1	1	
58	8CW-47591-00	PLATE	1	1	
59	90105-060A6	BOLT, FLANGE	2	2	
60	8CW-18112-01	ARM, SHIFT	1	1	
61	8CW-18161-01	GUIDE, PLATE STOPPER	1	1	
62	99009-12400	CIRCLIP	1	1	
63	95607-06200	NUT, SELF U-FLANGE	1	1	
64	95817-06035	BOLT, FLANGE	1	1	
65	90387-06605	COLLAR	1	1	
66	8CW-18152-01	LEVER, SHIFT 4	1	1	
67	91701-06035	PIN, CLEVIS	1	1	
68	90468-12007	CLIP	1	1	
69	92907-06200	WASHER	2	2	
70	8CW-1811A-00	PLATE, SHIFT ARM	1	1	
71	8CW-18153-00	GUIDE, SHIFT RETURN SPRING	1	1	
72	90506-14343	SPRING, TENSION	1	1	
73	8CL-18174-00	KNOB, SHIFT LEVER	1	1	
74	91609-40022	PIN, SPRING	1	1	
75	J51-82817-00	SWITCH	1	1	
76	98907-04016	SCREW, BIND	1	1	
77	95607-04100	NUT, U	1	1	
78	95827-06025	BOLT, FLANGE	2	2	
79	95827-06040	BOLT, FLANGE	1	1	
80	8CW-18198-00	LEVER	1	1	
81	90387-0608T	COLLAR	1	1	

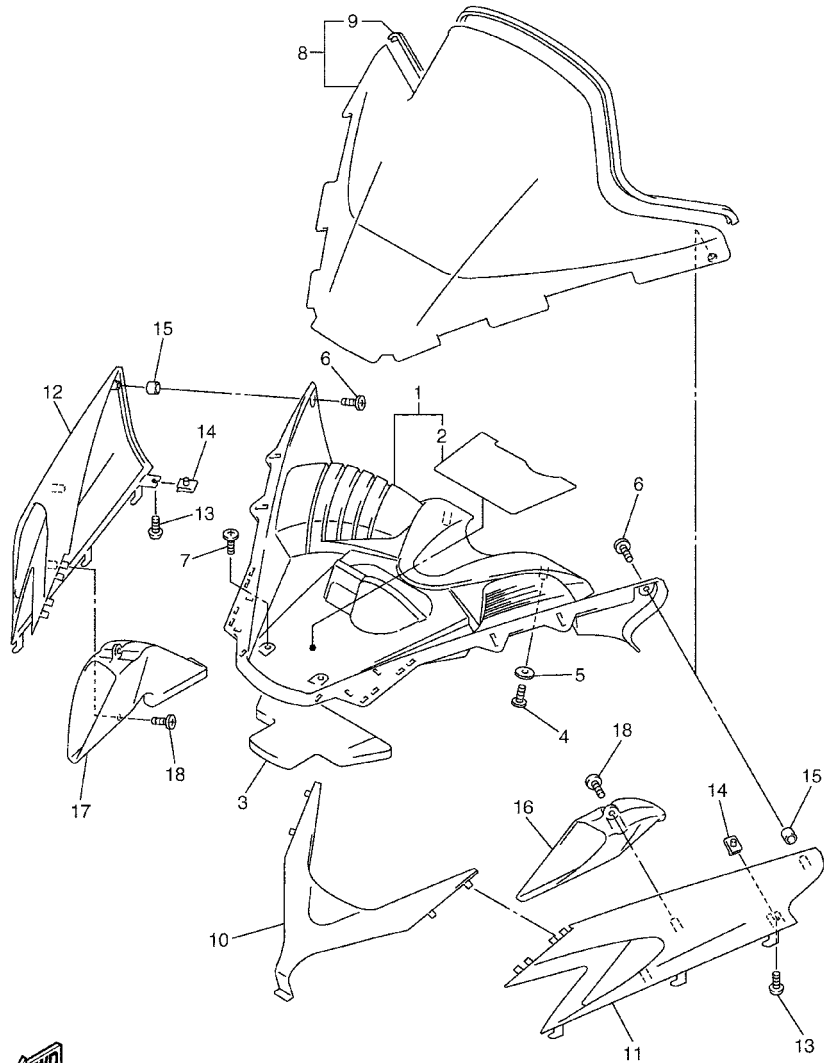
FIG. 27 SHROUD



8EK1100-2270

REF. NO.	PART NO.	DESCRIPTION	8FB1	8FB2	REMARKS
1	8FB-77111-00	SHROUD	1	1	
2	8EK-W7726-00	LINING SET	1	1	
3	8EK-77271-00	.DAMPER, NOISE 11	1	1	
4	8EK-77273-00	.DAMPER, NOISE 13	1	1	
5	8EK-77274-00	.DAMPER, NOISE 14	1	1	
6	8EK-77275-00	.DAMPER, NOISE 15	1	1	
7	8EK-77276-00	.DAMPER, NOISE 16	1	1	
8	8EK-77278-00	.DAMPER, NOISE 18	1	1	
9	8EK-77196-00	.DAMPER, SHROUD	1	1	
10	8EK-77199-00	.DAMPER 2	1	1	
11	8V0-77171-00	BODY, LATCH 1	2	2	
12	90387-06241	COLLAR	2	2	
13	90201-06557	WASHER, PLATE	2	2	
14	90154-06078	SCREW, BINDING	2	2	
15	90176-06055	NUT, CROWN	2	2	
16	90387-062M9	COLLAR	2	2	
17	8EK-77131-00	LOUVER 1	1	1	
18	8EK-77132-00	LOUVER 2	1	1	
19	8EK-77133-00	LOUVER 3	1	1	
20	90468-06001	CLIP	6	6	
21	8EK-77118-00	STOPPER, SHROUD	2	2	
22	8EK-77125-00	STAY 1	1	1	
23	8EK-77126-00	STAY 2	1	1	
24	90267-48018	RIVET, BLIND	2	2	
25	89A-77159-00	CLAMP, ROD	2	2	
26	8EK-77140-00	HINGE ASSY	1	1	
27	95807-06016	BOLT, FLANGE	2	2	

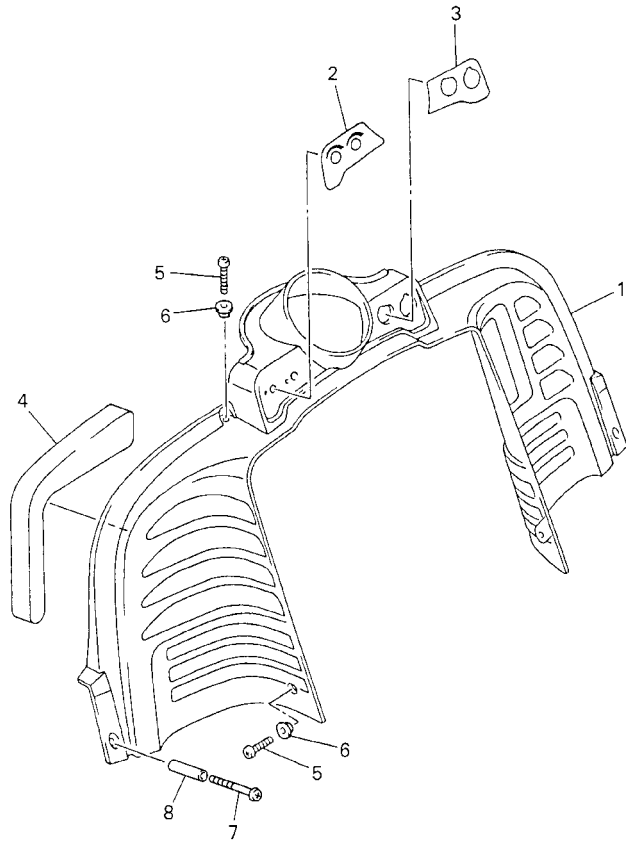
FIG. 29 WINDSHIELD



REF. NO.	PART NO.	DESCRIPTION	8FB1	8FB2	REMARKS
1	8EK-W7725-00	COVER, HEADLIGHT	1	1	
2	8EK-77198-00	.DAMPER 1	1	1	
3	8EK-77277-00	DAMPER, NOISE 17	1	1	
4	90167-05078	SCREW, TAPPING	2	2	
5	90201-05029	WASHER, PLATE	2	2	
6	90167-05079	SCREW, TAPPING	2	2	
7	98907-06014	SCREW, BIND	2	2	
8	8EK-K7210-00	WINDSHIELD COMP.	1		
	8EK-77210-00	WINDSHIELD COMP.		1	
9	8EK-K7213-00	.TRIM, UPPER	1		
	8EK-77213-00	.TRIM, UPPER		1	
10	8EK-77231-10	FAIRING	1	1	
11	8EK-7723A-10	FAIRING 2	1	1	
12	8EK-7723B-10	FAIRING 3	1	1	
13	98907-06020	SCREW, BIND	2	2	
14	90183-06053	NUT, SPRING	2	2	
15	8EK-77238-00	DAMPER	2	2	
16	8EK-2838N-00	DUCT 1	1	1	
17	8EK-2838R-00	DUCT 2	1	1	
18	97707-50012	SCREW, TAPPING	4	4	


8FB1100-2290

FIG. 32 INSTRUMENT PANEL

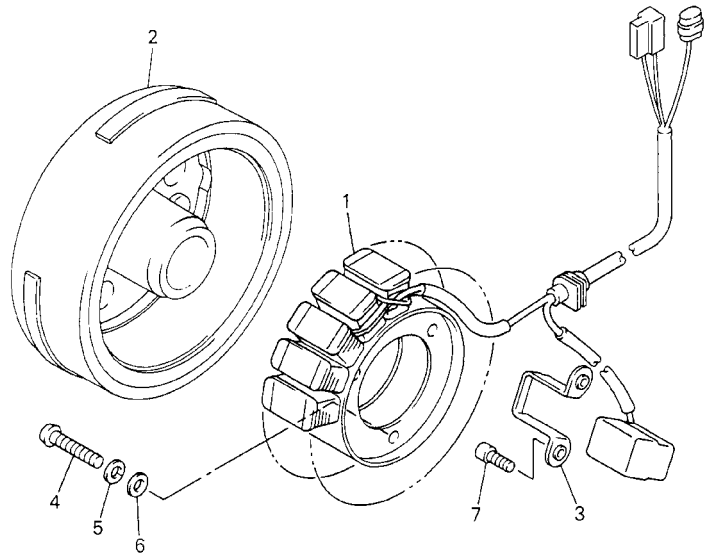


REF. NO.	PART NO.	DESCRIPTION	8FB1	8FB2				REMARKS
1	8DM-77711-00	PANEL, INSTRUMENT	1	1				
2	8DM-77741-00	INDICATOR 1	1	1				
3	8DM-77742-00	INDICATOR 2	1	1				
4	8EK-77279-00	DAMPER, NOISE 19	1	1				
5	98907-06012	SCREW, BIND	4	4				
6	90387-0611K	COLLAR	4	4				
7	90154-06077	SCREW, BINDING	2	2				
8	90387-06036	COLLAR	2	2				

 8EK1100-2320

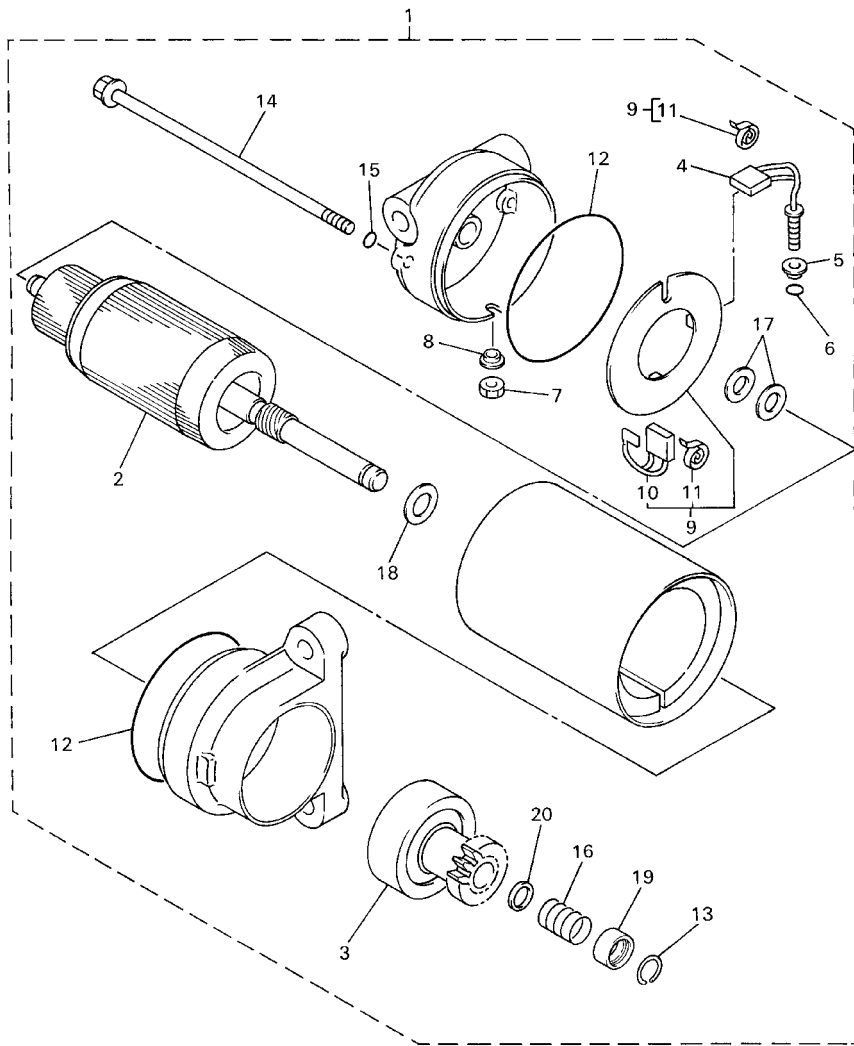
FIG. 33 GENERATOR

REF. NO.	PART NO.	DESCRIPTION	8FB1	8FB2	REMARKS
1	8EK-81410-00	STATOR ASSY	1	1	
2	8DN-81450-00	ROTOR ASSY	1	1	
3	90465-12011	CLAMP	1	1	
4	98507-06030	SCREW, PAN HEAD	3	3	
5	92907-06100	WASHER, SPRING	3	3	
6	92907-06600	WASHER, PLATE	3	3	
7	91317-05014	BOLT	2	2	



8EK1100-2330

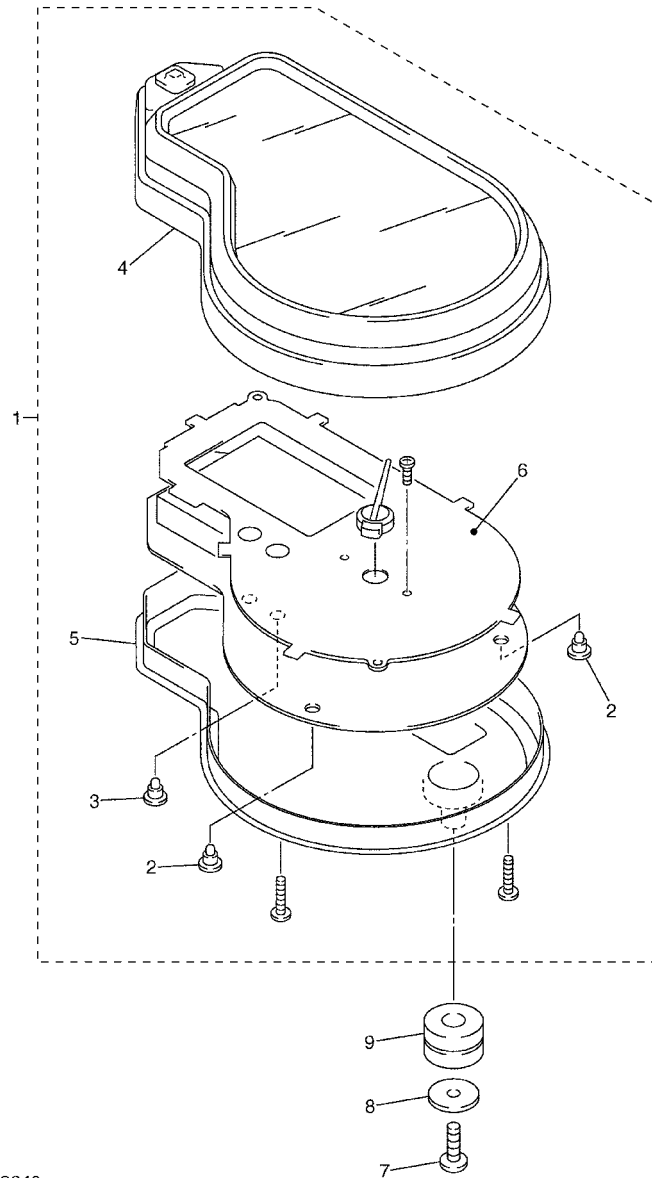
FIG. 34 STARTING MOTOR



8CR100-7440

REF. NO.	PART NO.	DESCRIPTION	8FB1	8FB2	REMARKS
1	8CW-81800-01	STARTING MOTOR ASSY	1	1	
2	8CW-81850-00	.ARMATURE ASSY	1	1	
3	8CW-81832-00	.CLUTCH, OVER RUN	1	1	
4	8CW-81811-00	.BRUSH 1	1	1	
5	73A-81829-50	.GROMMET	1	1	
6	73A-81847-00	.O-RING	1	1	
7	4H7-81872-00	.NUT, SPECIAL	1	1	
8	73A-81829-00	.GROMMET	1	1	
9	8CW-81840-00	.BRUSH HOLDER ASSY	1	1	
10	8CW-81812-00	..BRUSH 2	1	1	
11	8L6-81813-50	..SPRING, BRUSH	2	2	
12	4H7-81844-50	.O-RING	2	2	
13	8L6-81834-50	.RING	1	1	
14	3GD-81826-00	.BOLT, THROUGH	2	2	
15	8L6-81847-50	.O-RING	2	2	
16	8CW-81836-00	.SPRING, LEVER	1	1	
17	4H7-81843-50	.WASHER 1	2	2	
18	8L6-81835-50	.WASHER 2	1	1	
19	8CW-81833-00	.RING, STOP	1	1	
20	8BB-8185A-00	.WASHER, PLATE	1	1	

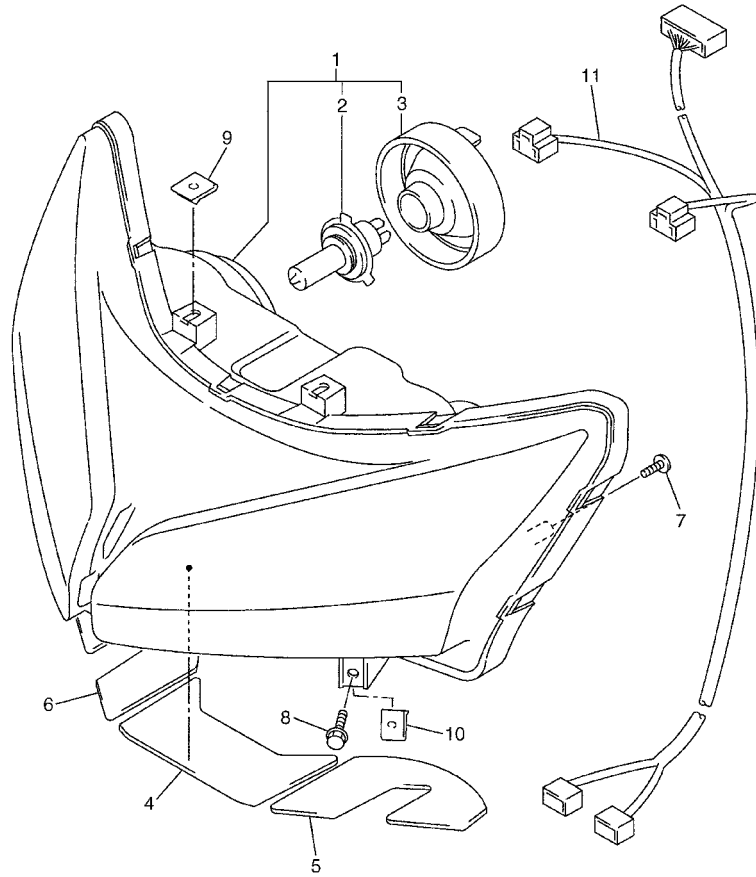
FIG. 35 METER




8EK1100-2340

REF. NO.	PART NO.	DESCRIPTION	8FB1	8FB2	REMARKS
1	8EK-83500-10	SPEEDOMETER ASSY	1	1	
	8EK-83500-00	SPEEDOMETER ASSY	1		FOR USA
2	4WM-83517-00	.BULB (T3 12V-40MA)	6	6	
3	4WM-83517-10	.BULB (T3.4 12V-80MA)	2	2	
4	8EK-8353E-00	.CASE, METER UPPER	1	1	
5	8EK-83572-00	.CASE, SPEEDOMETER LOWER	1	1	
6	8EK-83548-00	.PANEL, METER	1	1	
7	97707-50016	SCREW, TAPPING	3	3	
8	90201-05036	WASHER, PLATE	3	3	
9	4XV-83513-00	DAMPER	3	3	

FIG. 36 HEADLIGHT

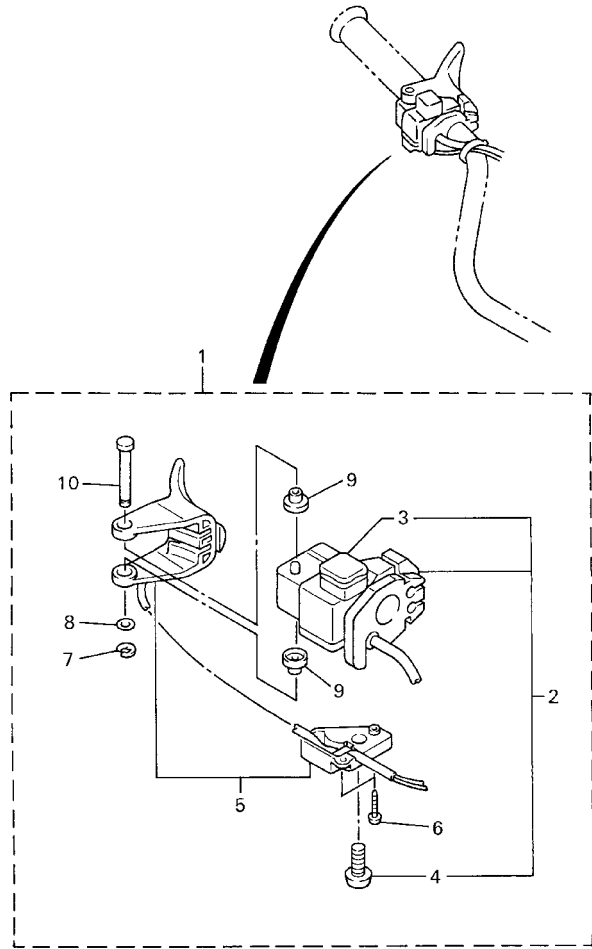


REF. NO.	PART NO.	DESCRIPTION	8FB1	8FB2	REMARKS
1	8EK-84310-00	HEADLIGHT UNIT ASSY	1	1	
2	8G9-84314-00	.BULB (12V-60/55W)	2	2	(H4)HALOGEN
3	8EK-84312-00	.HOLDER, SOCKET	2	2	
4	8EK-8399N-00	INSULATOR 1	1	1	
5	8EK-8368L-00	INSULATOR 2	1	1	
6	8EK-8368M-00	INSULATOR 3	1	1	
7	90167-05078	SCREW, TAPPING	2	2	
8	95807-06016	BOLT, FLANGE	2	2	
9	90183-06053	NUT, SPRING	2	2	
10	90183-06100	NUT, SPRING	2	2	
11	8EK-84359-00	CORD, HEADLIGHT	1	1	



8EK1100-2350

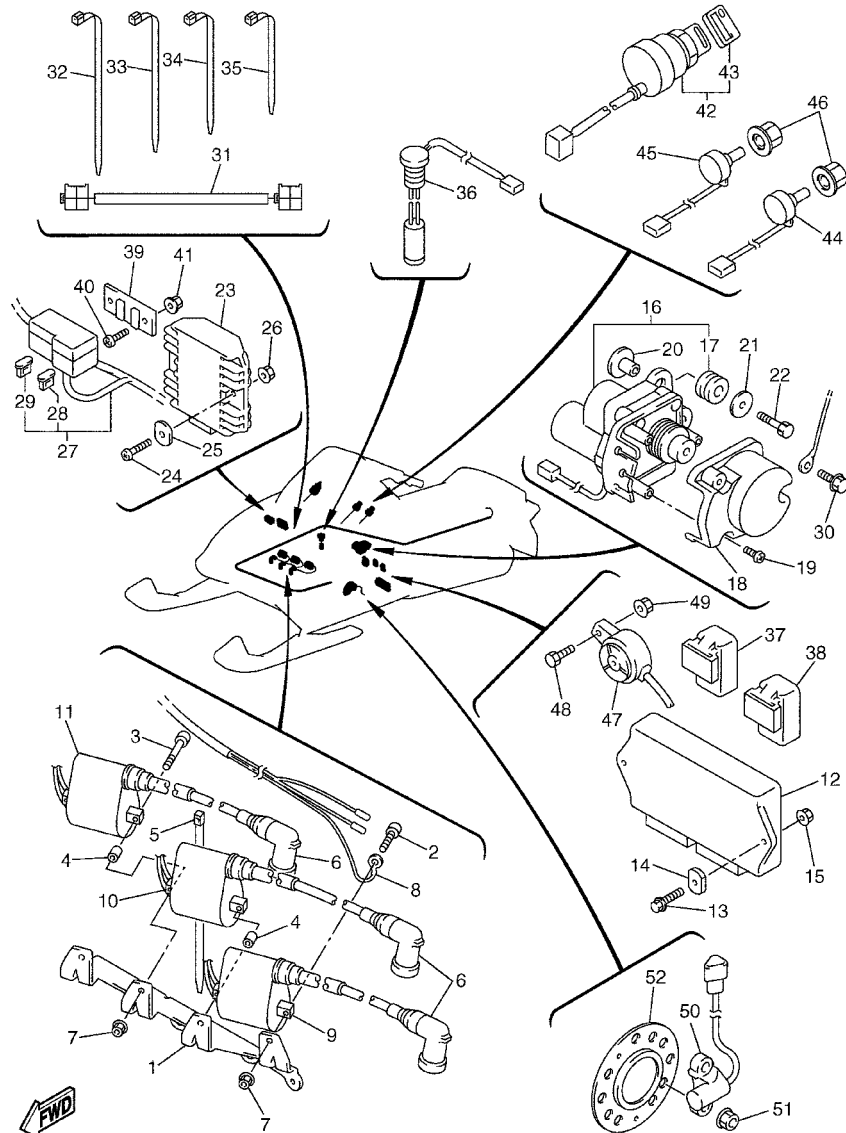
FIG. 38 HANDLE SWITCH. LEVER



REF. NO.	PART NO.	DESCRIPTION	8FB1	8FB2	REMARKS
1	8DN-82720-00	LEVER HOLDER ASSY (RIGHT)	1	1	
2	8AV-83963-00	.SWITCH, HANDLE 3 (RIGHT)	1	1	
3	8AU-82575-09	..ENGINE STOP SWITCH ASSY	1	1	WIRE/L=240MM
4	84M-83928-00	..SCREW, ADJUSTING	1	1	
5	8DN-82970-00	.THUMB WARMER ASSY	1	1	
6	97707-30614	.SCREW, TAPPING	2	2	
7	99001-04600	.CIRCLIP	1	1	
8	85G-83663-00	.WASHER, SPECIAL	1	1	
9	85G-83956-00	.CAP 1	2	2	
10	8R6-8399F-00	.SHAFT	1	1	



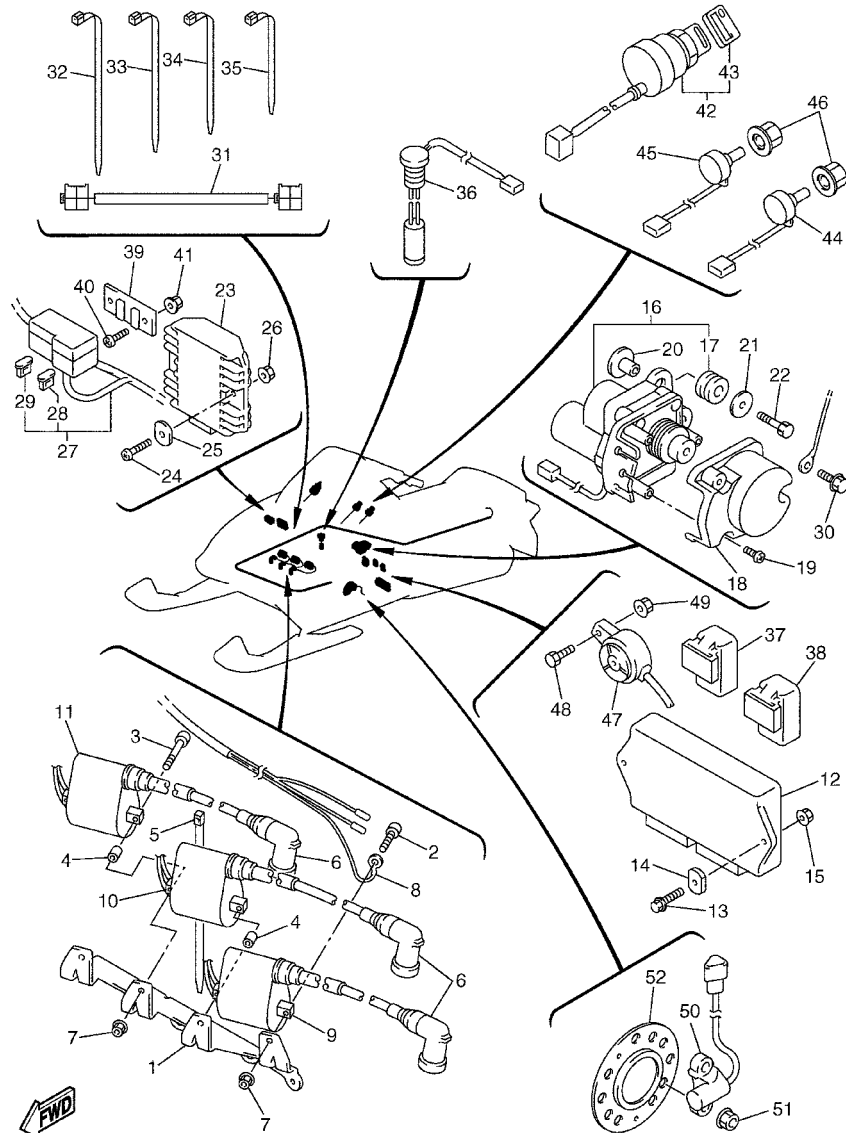
8CR100-7370



8FB1100-2390

FIG. 39 ELECTRICAL 1

REF. NO.	PART NO.	DESCRIPTION	8FB1	8FB2	REMARKS
1	8EK-82316-00	BRACKET, IGNITION COIL	1	1	
2	91317-06020	BOLT	2	2	
3	91317-06040	BOLT	2	2	
4	90387-0714B	COLLAR	2	2	
5	90464-15195	CLAMP	3	3	
6	8DF-82370-00	PLUG CAP ASSY	3	3	
7	95607-06200	NUT, SELF U-FLANGE	4	4	
8	8EK-82509-00	WIRE, SUB LEAD	1	1	
9	8DF-82310-10	IGNITION COIL ASSY	1	1	
10	8DF-82310-20	IGNITION COIL ASSY	1	1	
11	8DF-82310-30	IGNITION COIL ASSY	1	1	
12	8EK-85540-00	C.D.I. UNIT ASSY	1	1	
13	95807-06020	BOLT, FLANGE	2	2	
14	90179-06264	NUT	2	2	
15	95707-06500	NUT, FLANGE	2	2	
16	8DF-85820-00	SERVO MOTOR ASSY	1	1	
17	90480-14023	.GROMMET	2	2	
18	8DF-85829-00	COVER, SERVO MOTOR	1	1	
19	98507-05010	SCREW, PAN HEAD	3	3	
20	90387-063G3	COLLAR	2	2	
21	90201-06380	WASHER, PLATE	2	2	
22	97007-06030	BOLT	2	2	
23	5BN-81960-00	RECTIFIER & REGULATOR ASSY	1	1	
24	98907-06025	SCREW, BIND	2	2	
25	90179-06264	NUT	2	2	
26	95707-06500	NUT, FLANGE	2	2	
27	8FB-82590-00	WIRE HARNESS ASSY	1	1	

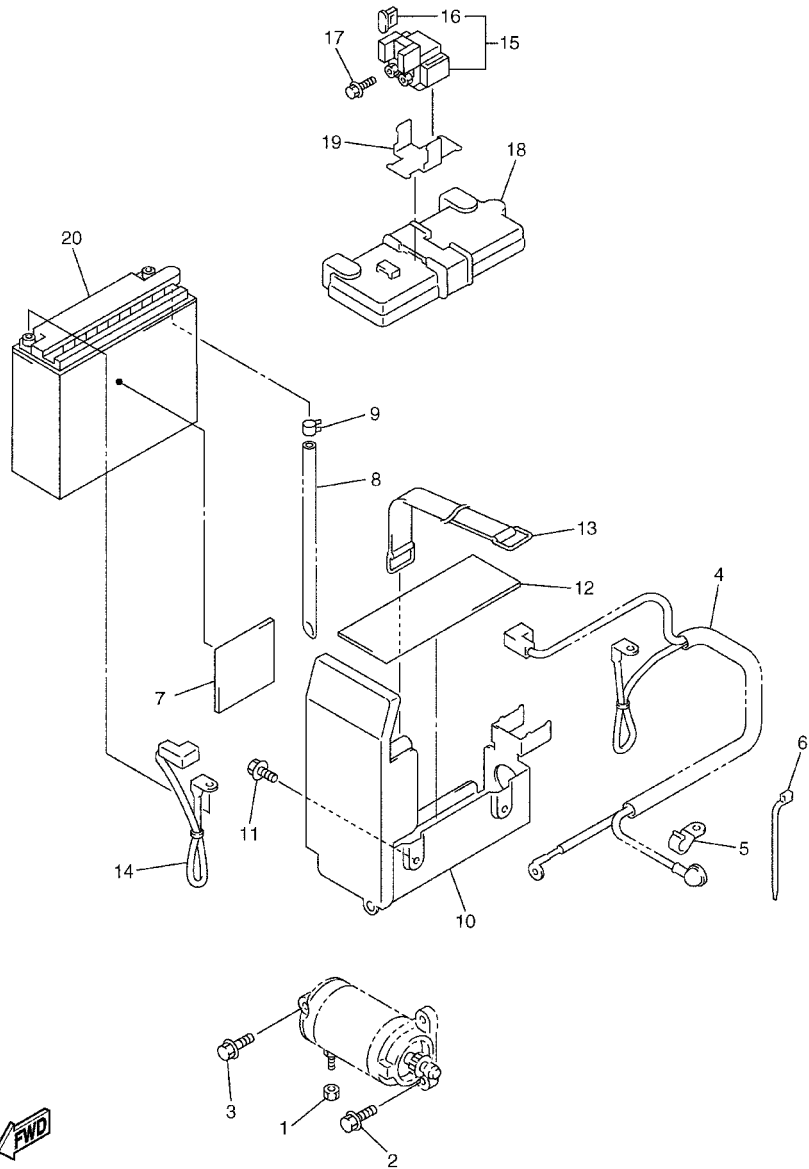


8FB1100-2390

FIG. 39 ELECTRICAL 1

REF. NO.	PART NO.	DESCRIPTION	8FB1	8FB2	REMARKS
28	5JJ-82151-30	.FUSE (10A-BL)	3	3	
29	5JJ-82151-20	.FUSE (20A-BL)	2	2	
30	97007-06010	BOLT	1	1	
31	8DM-8471G-00	WIRE, LEAD	1	1	
32	90464-12045	CLAMP	3	3	
33	90464-15195	CLAMP	16	16	
34	90464-13073	CLAMP	5	5	
35	90464-13077	CLAMP	5	5	
36	8CR-85720-01	OIL LEVEL GAUGE ASSY	1	1	
37	8DM-81950-00	RELAY ASSY	1	1	
38	5DM-81950-00	RELAY ASSY	1	1	
39	JT1-83614-00	BRACKET	1	1	
40	98507-06014	SCREW, PAN HEAD	2	2	
41	95707-06500	NUT, FLANGE	2	2	
42	8DM-82510-00	MAIN SWITCH ASSY	1	1	
43	526-82579-00	.CAP, KEY	2	2	
44	8DM-87283-00	RESISTOR, VARIABLE	1	1	
45	8DM-87283-10	RESISTOR, VARIABLE	1	1	
46	8DM-87284-00	KNOB, VARIABLE RESISTOR	2	2	
47	8CW-83383-00	BUZZER	1	1	
48	97007-05020	BOLT	1	1	
49	95707-05500	NUT, FLANGE	1	1	
50	8EK-83755-00	SENSOR, SPEED	1	1	
51	95707-08300	NUT, FLANGE	4	4	
52	8EK-47551-00	HOUSING, FRONT AXLE	1	1	

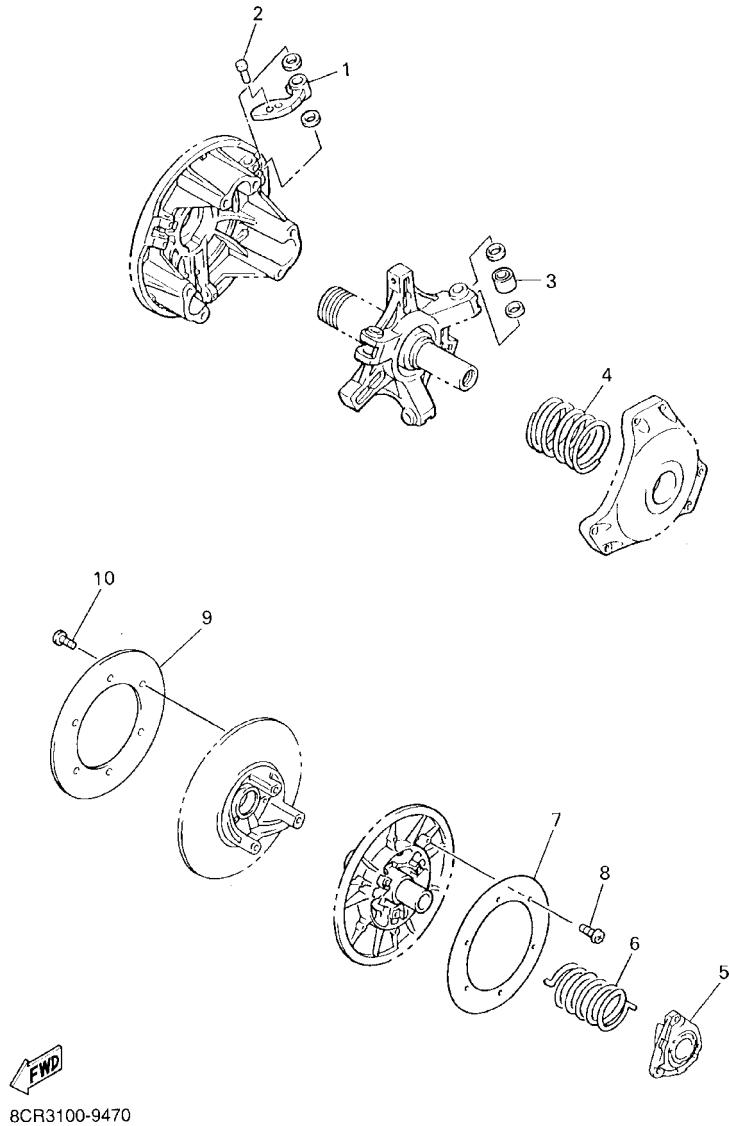
FIG. 40 ELECTRICAL 2



8FB1100-2400

REF. NO.	PART NO.	DESCRIPTION	8FB1	8FB2	REMARKS
1	95307-06600	NUT	1	1	
2	95027-08030	BOLT, FLANGE	2	2	
3	95027-08080	BOLT, FLANGE	1	1	
4	8EK-82105-00	WIRE HARNESS	1	1	
5	90462-08016	CLAMP	1	1	
6	90464-13073	CLAMP	2	2	
7	8CW-82176-00	DAMPER	1	1	
8	8CW-8235W-01	PIPE	1	1	
9	90467-08092	CLIP	1	1	
10	8FB-8212X-00	BATTERY BOX COMP.	1	1	
11	95807-06014	BOLT, FLANGE	2	2	
12	8DM-82122-00	SEAT, BATTERY	1	1	
13	8DM-82131-10	BAND, BATTERY	1	1	
14	8DY-82115-00	WIRE, PLUS LEAD	1	1	
15	4BH-81940-00	STARTER RELAY ASSY	1	1	
16	1AE-82151-00	.FUSE (30A-BL)	2	2	
17	95027-06008	BOLT, FLANGE	2	2	
18	8DM-82129-00	COVER, BATTERY	1	1	
19	8CY-81952-00	HOLDER, RELAY	1	1	
20	11K-82110-62	BATTERY ASSY (GM18Z-3A)	1	1	

FIG. 44 ALTERNATE (DRIVE SETTING 1)

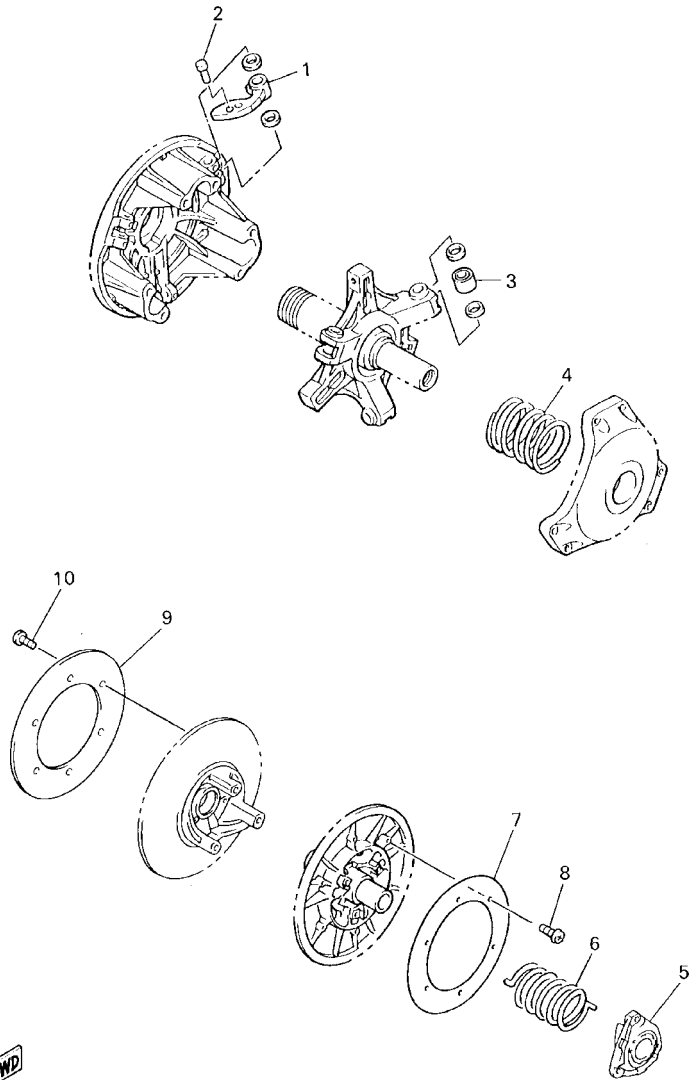


8CR3100-9470

REF. NO.	PART NO.	DESCRIPTION	8FB1	8FB2		REMARKS
1	8CR-17605-10	WEIGHT COMP	3	3		UR
	8CH-17605-10	WEIGHT COMP	3	3		UR
	8DJ-17605-00	WEIGHT COMP	3	3		UR
	8DG-17605-00	WEIGHT COMP	3	3		UR
	8DN-17605-20	WEIGHT COMP	3	3		UR
	8EK-17605-00	WEIGHT COMP	3	3		UR
2	90261-06015	RIVET, COUNTERSUNK (ST10.3MM)	3	3		UR
	90261-06017	RIVET, COUNTERSUNK (ST11.3MM)	3	3		UR
	90261-06019	RIVET, COUNTERSUNK (ST13.3MM)	3	3		UR
	90261-06028	RIVET, COUNTERSUNK (AL10.3MM)	3	3		UR
	90261-06033	RIVET, COUNTERSUNK (ST17.2MM)	3	3		UR
	90261-06034	RIVET, COUNTERSUNK (ST13.9MM)	3	3		UR
3	8CR-17624-00	ROLLER, COMP	3	3		UR
	8CR-17624-10	ROLLER, COMP	3	3		UR
	8CR-17624-20	ROLLER, COMP	3	3		UR
	8CR-17624-30	ROLLER, COMP	3	3		UR
4	90501-551L3	SPRING, COMPRESSION	1	1		UR (BL-P-BL)
	90501-583L5	SPRING, COMPRESSION	1	1		UR (WH-P-WH)
	90501-581L5	SPRING, COMPRESSION	1	1		UR (Y-P-Y)
	90501-581L6	SPRING, COMPRESSION	1	1		UR (GR-P-GR)
	90501-601L7	SPRING, COMPRESSION	1	1		UR (P-P-P)
	90501-601L8	SPRING, COMPRESSION	1	1		UR (OR-P-OR)
	90501-551L9	SPRING, COMPRESSION	1	1		UR (BL-SL-BL)
	90501-583L4	SPRING, COMPRESSION	1	1		UR (WH-SL-WH)
	90501-582L1	SPRING, COMPRESSION	1	1		UR (Y-SL-Y)
	90501-582L2	SPRING, COMPRESSION	1	1		UR (GR-SL-GR)
	90501-602L3	SPRING, COMPRESSION	1	1		UR (P-SL-P)

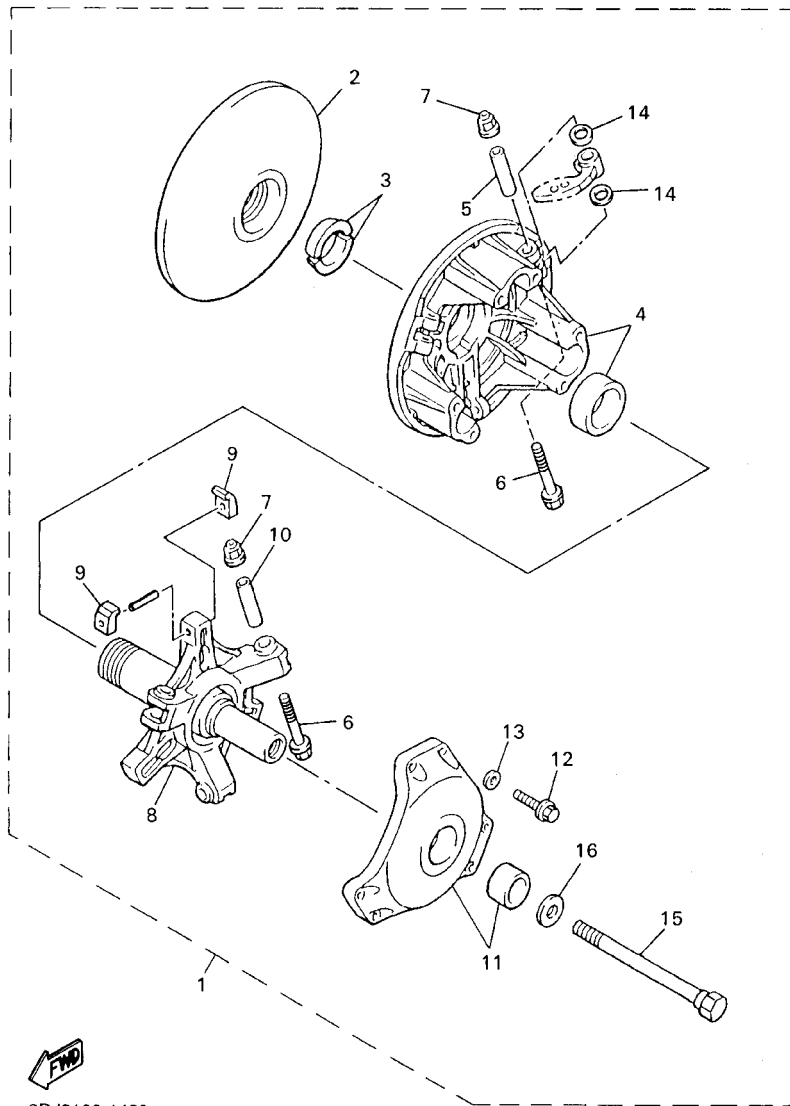
FIG. 44 ALTERNATE (DRIVE SETTING 1)

REF. NO.	PART NO.	DESCRIPTION	8FB1	8FB2	REMARKS
4	90501-624L8	SPRING, COMPRESSION	1	1	UR (OR-SL-OR)
	90501-552L5	SPRING, COMPRESSION	1	1	UR (BL-GR-BL)
	90501-582L6	SPRING, COMPRESSION	1	1	UR (WH-GR-WH)
	90501-582L7	SPRING, COMPRESSION	1	1	UR (Y-GR-Y)
	90501-602L8	SPRING, COMPRESSION	1	1	UR (GR-GR-GR)
	90501-602L9	SPRING, COMPRESSION	1	1	UR (P-GR-P)
	90501-583L0	SPRING, COMPRESSION	1	1	UR (BL-WH-BL)
	90501-583L1	SPRING, COMPRESSION	1	1	UR (WH-WH-WH)
	90501-603L2	SPRING, COMPRESSION	1	1	UR (Y-WH-Y)
	90501-603L3	SPRING, COMPRESSION	1	1	UR (GR-WH-GR)
5	8BV-17604-11	SEAT SPRING SET	1	1	UR
	8BV-17604-31	SEAT SPRING SET	1	1	UR
	8BV-17604-51	SEAT SPRING SET	1	1	UR
	8BV-17604-71	SEAT SPRING SET	1	1	UR
	8BV-17604-91	SEAT SPRING SET	1	1	UR
6	90508-536A9	SPRING, TORSION	1	1	UR (RED)
	90508-556A2	SPRING, TORSION	1	1	UR (GREEN)
	90508-556A7	SPRING, TORSION	1	1	UR (SILVER)
	90508-500B1	SPRING, TORSION	1	1	UR (BROWN)
7	8CM-17665-00	PLATE 1	1	1	UR
8	90150-05040	SCREW, ROUND HEAD	6	6	UR
9	8CM-17675-00	PLATE 2	1	1	UR
10	90150-05040	SCREW, ROUND HEAD	6	6	UR



8CR3100-9470

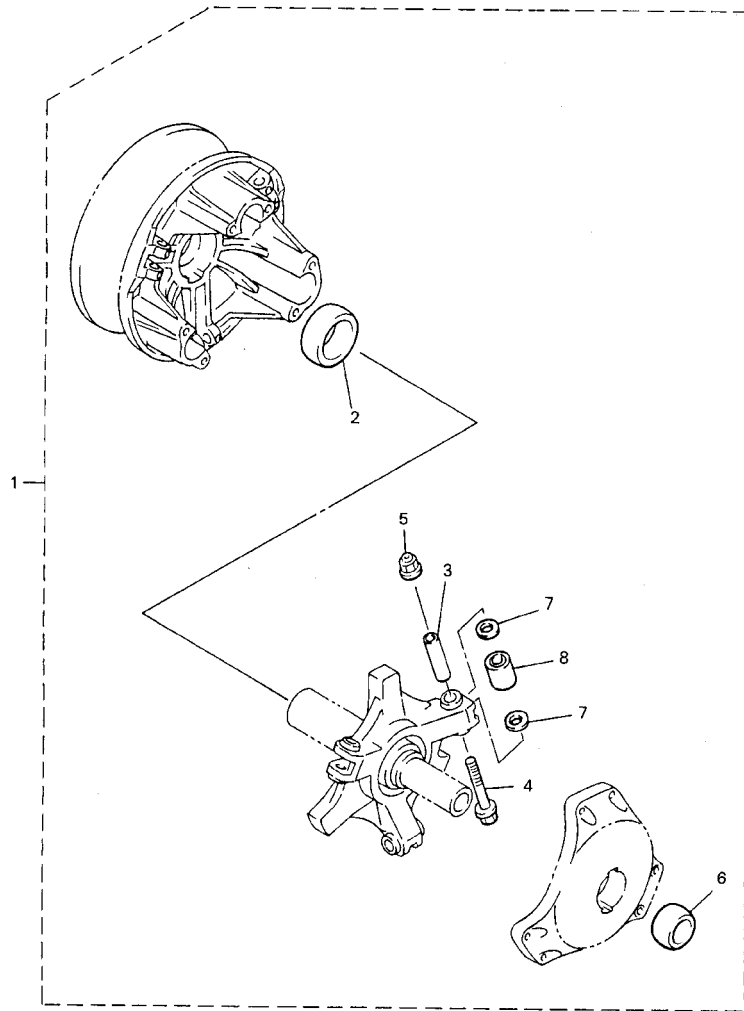
FIG. 46 ALTERNATE (DRIVE)



8DJ3100-1480

REF. NO.	PART NO.	DESCRIPTION	8FB1	8FB2	REMARKS
1	8DS-17601-09	CLUTCH REPAIR KIT	1	1	AP
2	8CR-17611-01	.SHEAVE, PRIMARY FIXED	1	1	
3	8V0-17639-00	.STOPPER	2	2	
4	8BV-17620-11	.PRIMARY SLIDING SHEAVE COMP.	1	1	
5	90387-0514T	.COLLAR	3	3	
6	90105-05644	.BOLT, FLANGE	6	6	
7	95607-05200	.NUT, U FLANGE	6	6	
8	8CA-17640-12	.SPIDER COMPLETE	1	1	
9	8BW-17653-00	.SLIDER	6	6	
10	90387-0514U	.COLLAR	3	3	
11	8DF-17630-00	.PRIMARY SHEAVE CAP COMP.	1	1	
12	97017-06030	.BOLT	6	6	
13	92907-06600	.WASHER, PLATE	6	6	
14	90202-08204	.WASHER, PLATE	6	6	
15	8V0-17647-00	.BOLT (L=156.5MM)	1	1	
16	92907-16100	.WASHER	1	1	

FIG. 47 ALTERNATE (DRIVE)



8DJ3100-1490

REF. NO.	PART NO.	DESCRIPTION	8FB1	8FB2		REMARKS
1	8CS-00000-51	CLUTCH TUNE-UP KIT	1	1		AP
2	90384-41242	.BUSH, BIMETAL FORMED	1	1		
3	90387-0514U	.COLLAR	3	3		
4	90105-05644	.BOLT, FLANGE	3	3		
5	95607-05200	.NUT, U FLANGE	3	3		
6	90380-28237	.BUSH, SOLID	1	1		
7	90202-09227	.WASHER, PLATE	6	6		
8	8CR-17624-00	.ROLLER, COMP	3	3		

NUMERICAL INDEX

PART NO.	GRID NO.	PART NO.	GRID NO.	PART NO.	GRID NO.	PART NO.	GRID NO.	PART NO.	GRID NO.	PART NO.	GRID NO.
8EK-F3711-00	C - 15	8J0-11633-00	B - 4	8EK-14101-00	B - 12	8CC-14216-10	C - 2	8EK-14610-00	C - 3	8BV-17604-91	G - 2
8FB-F3712-00	C - 15	8DF-11651-00	B - 4	8EK-14102-00	B - 12	89A-14216-00	B - 14	8EK-14613-00	C - 3	8CH-17605-10	F - 15
8EK-F3731-00	C - 15	8CH-11685-00	B - 4	8EK-14103-00	B - 12	3H1-14227-00	B - 15	8EK-14620-00	C - 3	8CR-17605-10	F - 15
8EK-F3751-00	C - 15	8EK-1240E-00	B - 7	8EK-14112-15	B - 12	8AB-14227-00	B - 12	8EK-14640-00	C - 3	8DG-17605-00	F - 15
8EK-F3766-00	C - 15	8EK-1240F-00	B - 7	22F-14115-00	B - 15	3G2-1423A-80	B - 13	8CA-14714-00	C - 3	8DJ-17605-00	F - 15
8EK-K7210-00	E - 13	8EK-1241A-00	B - 7	500-14115-00	B - 13	3G2-1423A-81	B - 13	8EK-14714-00	C - 3	8DN-17605-20	F - 15
8EK-K7213-00	E - 13	8EK-12410-00	B - 7	1T1-14116-A4	B - 13	3G2-1423A-82	B - 13	8DJ-14728-00	C - 13	8EK-17605-00	C - 6
8CR-K7595-00	E - 15	8EK-12412-00	B - 7	22F-14117-00	B - 14	3G2-1423E-55	B - 13	8EK-14728-00	C - 3		F - 15
8CR-W0041-00	D - 9	8EK-12413-00	B - 7		B - 15	3G2-1423E-56	B - 13	8EK-14738-00	C - 3	8CW-1761A-00	E - 7
8DF-W0046-00	D - 9	8EK-12417-00	B - 7	89A-14118-00	B - 15	3G2-1423E-57	B - 13	89A-14905-00	B - 14	8CR-17611-01	C - 6
8CR-W0047-00	D - 9	8CH-12422-01	B - 6	8CC-14122-00	B - 14	3G2-1423E-58	B - 13	3MA-14918-00	B - 12		G - 4
8CR-W0048-00	D - 9	8EK-1243E-00	B - 7	3GF-14126-00	B - 12	3G2-1423E-59	B - 13	3MA-14937-00	B - 12	8BV-17620-11	C - 6
8CR-W0057-00	D - 9	8DF-1243F-00	B - 7	2J2-14133-00	B - 14	3G2-1423E-60	B - 13	1UF-14952-00	B - 14		G - 4
8EK-W2195-00	C - 12	11H-12438-00	B - 6	5K7-14134-00	B - 12	3G2-1423E-61	B - 13	3FV-14962-00	B - 15	8CR-17624-00	C - 6
8CR-W2585-00	D - 9	8CH-12439-00	B - 6	1AE-14135-00	B - 15	3G2-1423E-62	B - 13	3H1-14962-00	B - 12		F - 15
8EK-W2587-00	D - 9	8EK-12440-00	C - 12	1AW-14135-00	B - 14	3G2-1423E-63	B - 13	8CH-14978-00	B - 15		G - 5
8CR-W2628-00	F - 13	8CH-12451-02	B - 6	89A-14137-00	B - 12	3G2-14231-28	B - 13	8CH-14987-10	B - 15	8CR-17624-10	F - 15
8EK-W7725-00	E - 13	8DF-12459-00	B - 6	35H-14139-00	B - 15	3G2-14231-29	B - 13	11H-14991-00	B - 15	8CR-17624-20	F - 15
8EK-W7726-00	E - 10	22W-12462-00	B - 7	89A-14141-48	B - 13	3G2-14231-30	B - 13	1J7-14994-00	B - 14	8CR-17624-30	F - 15
8CS-00000-51	G - 5	8EK-12476-00	B - 8	3H1-14142-45	B - 12	3G2-14231-31	B - 13	8CH-14995-00	B - 14	8DF-17630-00	C - 6
8EK-1111K-00	B - 2	8EK-12477-00	B - 8	3H1-14142-47	B - 12	3G2-14231-32	B - 13	89A-14996-00	B - 12		G - 4
8EK-11111-00	B - 2	8DF-12478-00	B - 2	3H1-14142-50	B - 12	89A-14243-00	B - 12	8DF-15100-10	C - 4	8V0-17639-00	C - 6
J38-11116-00	C - 4	8EK-1248A-00	B - 3	3H1-14142-52	B - 12	4N0-14251-00	C - 2	8EK-15710-00	C - 5		G - 4
8EK-11181-00	B - 2	8EK-1248E-00	B - 7	3H1-14142-55	B - 12	8EK-14251-00	B - 14	8EK-15711-00	C - 5	8CA-17640-12	C - 6
8EK-1131A-00	B - 2	8EK-12481-00	B - 7	1AE-14147-00	B - 14		C - 2	8DF-15713-00	C - 5		G - 4
8EK-1131E-00	B - 2	8EK-12482-00	B - 7	3H1-14147-00	B - 12	89A-14264-00	B - 15	8DF-15714-00	C - 5	8DN-17641-00	C - 7
8DF-1131F-01	B - 3	8EK-12483-00	B - 7	558-14147-00	B - 13	89A-14265-00	B - 14	8DF-15715-00	C - 5	8V0-17647-00	C - 7
8DF-1131U-01	B - 3	8DF-12484-01	B - 7	8F2-14147-00	B - 14	89A-14276-00	B - 14	8DF-15716-00	C - 5		G - 4
8EK-11311-00	B - 2	8DF-12485-00	B - 8	89A-14147-00	B - 14	89A-14286-00	B - 14	8DF-15723-00	C - 5	8BW-17653-00	C - 6
8DF-11317-00	B - 3	8EK-1249B-00	B - 7	1LX-14153-00	B - 13	89A-14292-00	B - 12	8DF-15735-00	C - 5		G - 4
8EK-1133E-00	B - 3	26H-12584-00	B - 2	3MA-14159-00	B - 12	8DF-14294-00	B - 11	8EK-15741-00	C - 5	8BV-17656-00	C - 8
8EK-1133F-00	B - 3	3FV-12584-00	B - 7	8EK-1417E-00	E - 14	8CH-14348-00	B - 15	8CH-15751-00	C - 5	8CR-17660-10	C - 8
8EK-1133G-00	B - 3	8EK-12661-00	B - 7	8EK-14171-00	B - 14	8EK-14348-00	B - 15	8DF-15753-00	C - 5	8CM-17665-00	C - 8
8EK-11351-00	B - 2	8DN-13100-00	B - 9	239-14172-10	B - 14	8EK-14349-00	B - 15	8F3-15755-00	C - 5		G - 2
8DF-11354-02	B - 2	8CH-1316A-00	B - 9	302-14173-00	B - 14	8EK-14425-00	B - 10	8DF-15758-10	C - 5	8BU-17670-10	C - 8
8DF-11397-10	B - 3	8DF-13185-00	B - 9	1FN-14174-00	B - 14	8EK-14431-00	B - 10	8F3-15758-00	C - 5	8CM-17675-00	C - 8
8EK-11400-00	B - 4	8DF-13187-00	B - 9	8EK-14185-00	B - 13	8EK-14441-00	B - 10	8CH-15767-00	C - 5		G - 2
8EK-11412-00	B - 4	353-13552-01	C - 4	537-14186-00	B - 13	8EK-14451-00	B - 10	8DF-15768-00	C - 5	8CR-17681-10	C - 8
8DN-11415-00	B - 4	8CH-13552-00	C - 4	89A-14188-00	B - 12	8CH-14452-00	B - 10	8CW-17143-00	E - 7	8DW-17682-00	G - 3
8DF-1142A-01	B - 4	8DF-13552-00	C - 4	1AE-14190-13	B - 13	8DF-14453-01	B - 10	8CW-17243-00	E - 7	8DW-17682-10	G - 3
8EK-11422-00	B - 4	8EK-13555-00	B - 10	12R-14191-00	B - 14	8EK-14454-00	B - 10	8CW-17492-00	E - 7	8DW-17682-20	E - 6
8EK-11432-00	B - 4	8DF-13573-00	B - 9	89A-14194-00	B - 13	8EK-14458-00	B - 10	8DM-1760A-18	C - 7		G - 3
8DF-11434-00	B - 4	8DF-13610-00	B - 10	8F2-14197-00	B - 15	8EK-14477-00	B - 10	8DS-17601-09	G - 4	8DW-17682-30	G - 3
8DF-11436-00	B - 4	2KM-13613-00	B - 10	620-14198-00	B - 12	2LN-14565-00	B - 13	8BV-17604-11	G - 2	8AV-17688-10	C - 8
8EK-11442-00	B - 4	8DF-13616-00	B - 10	89A-14198-00	B - 15	89A-14565-00	B - 12	8BV-17604-31	G - 2	8FB-17692-00	E - 7
8DF-11515-00	B - 4	8DF-13621-00	B - 10	89A-14199-00	B - 12	89A-14588-00	B - 15	8BV-17604-51	G - 2	82M-17699-00	E - 6
8DN-11603-00	B - 4	8DF-13625-00	B - 10	89A-14208-00	B - 15	8CH-14589-00	B - 15	8BV-17604-71	C - 8	8CW-1811A-00	E - 8
8EK-11631-00-A0	B - 4	8EK-14100-00	B - 12	8CC-14216-00	B - 12	89A-14594-00	B - 14		G - 2	8CW-18112-01	E - 8

NUMERICAL INDEX

PART NO.	GRID NO.	PART NO.	GRID NO.	PART NO.	GRID NO.	PART NO.	GRID NO.	PART NO.	GRID NO.	PART NO.	GRID NO.
26H-18115-00	E - 9	8CR-21973-00	C - 14	8CR-23845-00	D - 4	8CR-25926-00	D - 9	8CR-47426-21	E - 2	8EK-47715-00	E - 5
88T-18116-01	E - 9	8DN-21977-00	C - 12	8CR-23847-00	D - 4	8EK-26110-10	D - 4	8CR-47448-00	D - 15	8FB-7711A-00	E - 12
8CW-18152-01	E - 8	8DN-21978-00	C - 14	87S-23847-00	D - 4	8DM-26240-00	D - 12	8EK-4745A-00	E - 3	8FB-7711B-00	E - 12
8CW-18153-00	E - 8	8DN-2198F-00	C - 13	8DF-2385L-00	D - 3	4SV-26280-00	F - 13	8CR-4745B-00	E - 3	8FB-7711C-00	E - 12
8CW-18156-00	E - 9	8CR-2198G-01	C - 12	8EK-23851-00	D - 2	4SV-26290-00	F - 13	8EK-4745C-00	E - 3	8FB-7711D-00	E - 10
88T-18157-00	E - 9	8CR-2198J-00	C - 12	8EK-23852-00	D - 2	8EK-26311-00	D - 12	8DF-47456-10	D - 15	8EK-77118-00	E - 10
8CW-18161-01	E - 8	8DF-21998-10	C - 14	8DF-23857-00	D - 4	8EK-26320-00	B - 9	8CM-47457-00	D - 13	8EK-77125-00	E - 10
8CL-18174-00	E - 8	4AA-22259-40	D - 15	8CR-2386E-00	D - 3	8U9-26325-00	D - 12	8AX-47458-00	D - 13	8EK-77126-00	E - 10
8CW-18197-00	E - 8		E - 3	8CR-2386G-00	D - 3	8CR-26329-00	D - 12	8DF-47463-01	E - 2	8CR-77128-00	C - 13
8CW-18198-00	E - 8	4AA-22259-60	D - 15	8CR-2386H-00	D - 3	8CH-26330-02	D - 12	8DF-47464-01	E - 2	8EK-77131-00	E - 10
8CW-18511-00	E - 7		E - 3	8DF-23867-00	D - 6	8G8-26333-00	D - 12	8CR-47465-00	D - 15	8EK-77132-00	E - 10
8EK-21415-00	C - 10	8ED-23442-00	D - 4	8EK-23870-00	D - 6	8ED-26351-00	D - 10	8V0-47468-00	D - 13	8EK-77133-00	E - 10
8EK-21416-00	C - 10	8CR-23496-00	D - 11	8CJ-23872-00	D - 4	8M6-26391-01	D - 12	8CR-47475-00	E - 2	8EK-77140-00	E - 10
8DF-21417-01	C - 10	8EK-23711-00	C - 15	8CR-23872-00	D - 4	8EK-28100-00	E - 14	8K2-47479-01	D - 14	8EK-77141-10	E - 12
8DF-21418-00	C - 10	8FB-23712-00	C - 15	8CR-23881-00	D - 6	8EK-28388-00	E - 13	8CH-47480-40	E - 3	89A-77159-00	E - 10
8EK-21425-00	C - 10	8EK-23731-00	C - 15	8EK-23882-00	D - 6	8EK-2838R-00	E - 13	8CH-47480-50	E - 3	8V0-77171-00	E - 10
8EK-21426-00	C - 10	8CR-23741-10	D - 2	1UY-23894-01	D - 4	8AC-4631K-00	E - 3	8EK-47481-00	D - 15	8EK-77196-00	E - 10
8CR-21427-10	C - 10	8CR-23743-10	C - 15	8EK-24111-00	D - 7	8DN-47110-01	D - 13	8DN-47481-10	D - 15	8CR-77198-00	E - 13
8DF-2145B-10	C - 10	8EK-23751-00	C - 15	8DF-2412G-00	D - 5	8EK-47110-00	D - 13	82M-47485-02	E - 2	8EK-77199-00	E - 10
8CH-21486-10	C - 10	8EK-2376A-00	D - 2	8AC-2414B-01	E - 12	8EA-47113-00	D - 13	8CR-47486-00	E - 2	8EK-77210-00	E - 13
8EK-21751-00	C - 11	8EK-2376A-10	D - 2	8CR-2418A-00	D - 7	8EA-47115-30	D - 13	8CR-47488-00	E - 2	8EK-77213-00	E - 13
8EK-21771-00	C - 11	8CR-2376B-00	D - 2	8CR-24301-00	D - 7	8CR-47310-10	D - 13	8CX-47489-00	F - 14	8EK-7723A-10	E - 13
8EK-21772-00	C - 11	8CH-23760-40	C - 15	8CR-24311-10	D - 7		D - 14	8CX-47489-10	F - 14	8EK-7723B-10	E - 13
8EK-2191A-00	C - 12	8CH-23760-50	D - 2	8CR-24335-00	D - 7	8H8-47320-00	D - 14	8DH-47489-00	F - 14	8EK-77231-10	E - 13
8EK-21912-00	C - 13	8CH-23760-60	D - 2	8H0-24379-00	B - 9	8CV-47331-01	D - 15	8CX-47494-01	E - 3	8EK-77238-00	E - 13
8EK-21917-00	C - 12	8CX-23760-00	C - 15	8DF-24410-11	B - 10	8CR-47332-10	E - 2	8CR-47495-00	D - 15	8EK-77261-00	C - 14
8EK-21918-00	C - 12	8CX-23760-10	C - 15	89A-24452-00	C - 2	8CH-47336-40	F - 14	8EK-47511-00	E - 5	8EK-77262-00	C - 14
8EK-21920-00	C - 12	8EK-23766-00	C - 15	89A-24529-00	B - 14	8CH-47336-50	F - 14	8L8-47520-02	D - 14	8EK-77263-00	C - 14
8EK-21921-00	C - 14	8EK-23775-00	D - 2	8H5-24560-00	D - 7	8CH-47336-60	F - 14	8BW-47526-00	E - 5	8EK-77264-00	C - 14
8EK-21923-00	C - 13		D - 3	8CW-24610-00	D - 7	8CX-47336-00	F - 14	8BW-47531-00	E - 5	8EK-77265-00	C - 14
8CR-21939-00	C - 12	8EK-23788-00	C - 13	8CW-24612-00	D - 7	8CX-47336-10	F - 14	8BW-47532-10	E - 5	8EK-77266-00	C - 14
8EK-2194J-00	C - 12	8EK-23803-00	D - 2	8EK-2470F-10	D - 8	8CX-47336-20	F - 14	8CR-47541-01	E - 6	8EK-77267-00	C - 14
8EK-21940-09	C - 12	8DF-23812-00	D - 4	8EK-24710-10	D - 8	8CM-47341-00	D - 13	8CW-47543-02	E - 6	8EK-77268-00	C - 14
8DF-21941-00	C - 13	8EG-23813-00	D - 4	8CR-2516A-00	D - 2	8CR-47341-01	D - 14	8CR-47546-00	E - 6	8EK-77269-00	C - 14
8CR-21943-01	C - 12	8K1-23814-00	D - 4	8CR-25730-00	D - 10	8CR-47341-11	D - 14	8CR-47550-10	D - 14	8EK-77271-00	E - 10
8EK-21949-00	C - 13	8EK-23815-00	D - 6	8CR-25740-00	D - 10	8DF-47367-00	E - 4	8EK-47550-00	D - 14	8EK-77272-00	E - 14
8CR-2195E-00	C - 13	8DM-2382E-10	D - 2	8DF-2580T-01	D - 9	8V0-4741B-00	D - 13	8EK-47550-10	D - 14	8EK-77273-00	E - 10
8EK-21950-09	C - 12	8DM-2382F-10	D - 2	8DN-2581T-00	D - 9	8EA-47411-00	D - 13	8EK-47551-00	F - 10	8EK-77274-00	E - 10
8DF-21951-00	C - 13	8CR-23821-00	D - 4	8DF-2582F-00	D - 9	8EA-47412-00	D - 13	8CR-47558-01	E - 6	8EK-77275-00	E - 10
8CR-21953-00	C - 12	8EK-23823-00	D - 2	8DF-25828-00	D - 9	8CR-47415-00	D - 15	8CW-47564-00	E - 7	8EK-77276-00	E - 10
8EK-21959-00	C - 13		D - 3	55U-25854-00	D - 9	8CR-47416-10	E - 2	8CW-47571-00	E - 7	8EK-77277-00	E - 13
8EK-2196A-00	C - 13	8EK-23826-00	D - 5	8CR-25867-00	D - 9	8CR-47417-01	E - 2	8FB-47578-00	E - 14	8EK-77278-00	E - 10
8EK-2196E-00	C - 13	8CR-23831-00	D - 4	8ED-25872-00	D - 10	8EA-47418-00	E - 2	8FB-47587-80	E - 7	8EK-77279-00	F - 2
8CR-2196F-00	C - 12	8EK-23832-00	D - 3	3LC-25885-00	D - 10	8DF-47419-00	D - 13		G - 3	8CR-77311-10	E - 14
8EK-21960-09	C - 12	8EK-2384E-00	D - 2	8CR-2589F-00	D - 9	8DF-47419-10	D - 13	8CW-47591-00	E - 8	8CR-77315-00	E - 14
8DY-2197E-00	C - 14		D - 3	8CR-2589H-00	D - 10	8CM-47421-40	D - 13	8CR-47612-00	E - 6	8CR-77319-00	E - 14
8EK-21970-09	C - 12	8EK-2384F-00	D - 3	8CR-25919-00	D - 9	8CM-47422-10	D - 13	8CR-47613-00	E - 6	83R-77327-00	E - 14
8EK-21972-00	C - 13	J45-23845-00	E - 9	8CR-25924-00	D - 9	8CR-47425-00	E - 2	8CR-47631-01	C - 8	8CR-77338-00	E - 14

NUMERICAL INDEX

PART NO.	GRID NO.	PART NO.	GRID NO.	PART NO.	GRID NO.	PART NO.	GRID NO.	PART NO.	GRID NO.	PART NO.	GRID NO.
8EK-77351-10	E - 12	8DY-82115-00	F - 11	8EK-8399N-00	F - 6	90105-10436	E - 3	90201-047R8	D - 13	90201-301G3	D - 2
8EK-77352-10	E - 12	8FB-8212X-00	F - 11	8EK-84310-00	F - 6	90105-105A0	E - 5	90201-05029	E - 13	90201-320S3	E - 7
8EA-77371-30	D - 3	8DM-82122-00	F - 11	8EK-84312-00	F - 6	90105-10617	C - 14	90201-05033	C - 13	90202-08204	C - 6
8EA-77372-30	D - 3	8DM-82129-00	F - 11	8G9-84314-00	F - 6	90105-10634	D - 9	90201-05036	F - 12		G - 4
8CR-77384-00	E - 14	8DM-82131-10	F - 11	8EK-84359-00	F - 6	90105-10712	C - 15		F - 5	90202-09227	C - 4
8EK-77511-00	E - 15	1AE-82151-00	F - 11	4XV-84540-00	F - 7	90105-10739	E - 3	90201-06037	C - 8		G - 5
8EK-77512-00	C - 13	5JJ-82151-20	F - 10	8DM-8471G-00	F - 10	90105-10769	D - 15	90201-06050	D - 10	90202-14226	E - 3
8EK-77541-00	E - 15	5JJ-82151-30	F - 10	137-84714-60	F - 7	90105-12010	D - 3	90201-06071	E - 9	90202-16229	E - 3
8EK-77542-00	E - 15	8CW-82176-00	F - 11	3LK-8473A-00	F - 7	90105-14760	C - 9	90201-06072	F - 13	90208-22001	E - 6
8CR-77595-00	E - 15	8DN-82309-00	C - 2	11H-85110-01	F - 12	90108-08002	C - 15	90201-061H1	C - 8	90210-06001	B - 6
8DM-77711-00	F - 2	8DF-82310-10	F - 9	3Y6-85130-02	F - 12	90109-063E8	B - 2	90201-06380	F - 9	90210-06006	B - 2
8DM-77741-00	F - 2	8DF-82310-20	F - 9	8EK-85540-00	F - 9	90109-06418	B - 2	90201-06557	E - 10		B - 7
8DM-77742-00	F - 2	8DF-82310-30	F - 9	8CR-85720-01	F - 10	90109-083G2	C - 8	90201-06747	D - 15		E - 7
8DM-77761-S0	E - 12	8EK-82316-00	F - 9	8CW-85752-00	D - 7	90110-05227	B - 9	90201-06778	E - 9	90210-08017	E - 7
8FB-77761-E0	E - 12	8CW-8235W-01	F - 11	8CC-85790-01	B - 2	90113-05053	C - 6	90201-084H7	B - 2	90249-06009	D - 10
8BD-77762-00	E - 14	8DF-82370-00	F - 9	8DF-85820-00	F - 9	90113-06039	E - 5	90201-08403	D - 11	90249-06012	D - 10
86D-77762-00	E - 14	8EK-82509-00	F - 9	8DF-85829-00	F - 9	90113-06064	C - 8	90201-086A3	D - 8	90249-12227	E - 6
8DM-77763-E0	E - 12	8DM-82510-00	F - 10	5FL-85885-00	B - 15		E - 5	90201-086P8	C - 15	90261-06015	F - 15
8DM-77763-S0	E - 12	8CR-82530-01	D - 9	8DM-87283-00	F - 10	90116-06031	B - 2		D - 3	90261-06017	F - 15
8EK-81410-00	F - 3	8AU-82575-09	F - 8	8DM-87283-10	F - 10	90116-10411	B - 2	90201-08759	D - 5	90261-06019	F - 15
8DN-81450-00	F - 3	526-82579-00	F - 10	8DM-87284-00	F - 10	90116-10506	B - 2	90201-08784	C - 15	90261-06028	F - 15
8CW-81800-01	F - 4	87S-8259A-00	B - 14	90101-06288	D - 10	90119-06182	B - 10		D - 7	90261-06033	C - 6
8CW-81811-00	F - 4	8FB-82590-00	F - 9	90101-08774	D - 14	90119-08240	C - 5	90201-092U3	B - 3		F - 15
8CW-81812-00	F - 4	8DN-82720-00	F - 8	90101-10357	E - 6	90149-06330	D - 7	90201-100L3	E - 2	90261-06034	C - 6
8L6-81813-50	F - 4	J51-82817-00	E - 8	90101-10738	D - 15	90150-05040	C - 8	90201-100S0	D - 13		F - 15
3GD-81826-00	F - 4	8DN-82970-00	F - 8		E - 3		G - 2	90201-100S2	E - 4	90267-47186	B - 8
73A-81829-00	F - 4	8CW-83383-00	F - 10	90101-12780	D - 2	90150-08008	C - 7	90201-100U1	E - 3		C - 12
73A-81829-50	F - 4	8EK-83500-00	F - 5	90102-10044	D - 5	90151-06010	D - 13	90201-101U2	E - 4		D - 3
8CW-81832-00	F - 4	8EK-83500-10	F - 5	90105-05644	C - 6	90154-06062	C - 8	90201-10118	D - 10	90267-47187	C - 13
8CW-81833-00	F - 4	4XV-83513-00	F - 5		G - 4	90154-06077	F - 2	90201-10136	E - 2		E - 15
8L6-81834-50	F - 4	4WM-83517-00	F - 5		G - 5	90154-06078	E - 10	90201-103U4	E - 3	90267-47195	B - 8
8L6-81835-50	F - 4	4WM-83517-10	F - 5	90105-060A6	D - 7	90167-05043	B - 10	90201-10321	C - 10		C - 13
8CW-81836-00	F - 4	8EK-8353E-00	F - 5		E - 7	90167-05078	E - 13	90201-106F2	E - 4	90267-47197	C - 12
8CW-81840-00	F - 4	8EK-83548-00	F - 5		E - 8		F - 6	90201-120T5	D - 2		C - 13
4H7-81843-50	F - 4	8EK-83572-00	F - 5	90105-06601	E - 9	90167-05079	E - 13	90201-121U3	D - 5	90267-48014	D - 12
4H7-81844-50	F - 4	JT1-83614-00	F - 10	90105-06734	C - 8	90170-06289	E - 9	90201-127E1	E - 6	90267-48016	C - 12
73A-81847-00	F - 4	85G-83663-00	F - 8	90105-08043	B - 2	90170-10186	D - 4	90201-12790	B - 2		C - 14
8L6-81847-50	F - 4	8EK-8368L-00	F - 6	90105-08044	B - 2	90170-16425	B - 5	90201-141A3	C - 9	90267-48018	C - 13
8BB-8185A-00	F - 4	8EK-8368M-00	F - 6	90105-08094	D - 10	90170-22094	E - 6	90201-16245	E - 7		E - 10
8CW-81850-00	F - 4	8EK-83755-00	F - 10	90105-08345	D - 3	90176-06055	E - 10	90201-205R6	D - 14	90267-48057	C - 12
4H7-81872-00	F - 4	8DN-83912-00	D - 9	90105-08450	E - 2	90179-06264	F - 9	90201-207J5	E - 2	90267-48095	D - 6
4BH-81940-00	F - 11	8CR-83922-00	D - 10	90105-100A7	E - 7	90179-08655	C - 8	90201-210U0	D - 15	90267-48169	C - 14
5DM-81950-00	F - 10	84M-83928-00	F - 8	90105-100A9	D - 2	90179-10679	E - 6	90201-222F0	C - 8	90267-48176	C - 12
8DM-81950-00	F - 10	8EK-83950-00	D - 10		D - 3	90183-06053	E - 13	90201-225A4	C - 8	90267-48177	E - 14
8CY-81952-00	F - 11	85G-83956-00	F - 8	90105-103A1	D - 15		E - 15	90201-250T6	E - 2	90267-48194	D - 13
5BN-81960-00	F - 9	8AV-83963-00	F - 8		E - 2		F - 6	90201-251G8	E - 2	90267-48199	D - 13
8EK-82105-00	F - 11	8CR-8398X-00	D - 9	90105-10392	D - 13	90183-06100	F - 6	90201-270U5	D - 9	90267-50004	C - 14
11K-82110-62	F - 11	8R6-8399F-00	F - 8	90105-10433	E - 2	90185-10110	D - 15	90201-272U2	B - 4	90269-07080	C - 13

NUMERICAL INDEX

PART NO.	GRID NO.	PART NO.	GRID NO.	PART NO.	GRID NO.	PART NO.	GRID NO.	PART NO.	GRID NO.	PART NO.	GRID NO.
90280-05033	B - 4	90387-1007M	E - 3	90467-09001	D - 7	90501-582L2	F - 15	91701-06022	E - 9	93317-21578	E - 7
90281-07004	D - 9	90387-1007N	E - 3	90467-09026	B - 11	90501-582L6	G - 2	91701-06035	E - 8	93317-33179	E - 7
90338-30256	C - 14	90387-10079	D - 13		B - 9	90501-582L7	G - 2	92017-06014	D - 10	93317-41767	D - 5
90338-44093	C - 14	90387-1009K	D - 3	90467-10035	B - 15	90501-583L0	G - 2	92017-08012	C - 5	93317-41785	D - 5
90380-08244	C - 6	90387-1009S	E - 3	90467-11032	B - 11	90501-583L1	G - 2	92017-08020	D - 10	93390-00028	B - 4
90380-09245	C - 6	90387-1009T	D - 15		B - 9	90501-583L4	F - 15	92902-08100	C - 5	93399-99943	C - 8
90380-22232	E - 4	90387-1012H	C - 15		D - 7	90501-583L5	F - 15	92907-03100	B - 10	93410-27080	D - 9
90380-28235	E - 4	90387-105G5	D - 15	90467-11090	B - 3	90501-601L7	F - 15	92907-06100	F - 3	93440-39175	E - 7
90380-28237	C - 6	90387-1404R	E - 3		B - 8	90501-601L8	F - 15	92907-06200	E - 8	93440-72049	B - 4
	G - 5	90387-1407L	C - 8	90467-28046	B - 8	90501-602L3	F - 15	92907-06600	B - 10	93450-21053	B - 4
90381-14101	D - 15	90387-2004V	D - 14	90468-02025	B - 9	90501-602L8	G - 2		B - 7	93604-08071	B - 2
90381-15112	D - 15	90387-2008G	E - 7		C - 4	90501-602L9	G - 2		C - 6	93605-10108	C - 4
90381-17110	D - 3	90387-2012C	D - 14	90468-02078	B - 9	90501-603L2	C - 6		F - 3	93606-20044	E - 6
90381-19111	D - 15	90387-2012D	D - 14		D - 7		G - 2		G - 4	93700-06004	D - 2
90381-22099	E - 2	90387-2012E	D - 14	90468-04092	D - 7	90501-603L3	G - 2	92907-08600	C - 5		E - 4
90381-25115	D - 2	90387-220X0	D - 12	90468-06001	E - 10	90501-624L8	G - 2		D - 4	94702-00188	B - 2
90381-28108	E - 2	90387-2508C	E - 7	90468-12006	D - 4	90506-14343	E - 8	92907-10100	E - 7	94890-09068	E - 6
90384-16251	D - 2	90387-2508D	E - 6	90468-12007	E - 8	90506-20272	C - 3	92907-10200	C - 14		G - 3
	E - 4	90387-2511J	E - 7		E - 9	90508-291B1	D - 10	92907-16100	C - 7	94890-09070	G - 3
90384-38243	C - 8	90401-10159	D - 10	90480-01003	B - 7	90508-291B2	D - 10		G - 4	95027-06008	F - 11
90384-41242	C - 6	90430-06166	B - 6	90480-14023	F - 9	90508-500B1	G - 2	92907-16600	B - 5	95027-08030	F - 11
	G - 5	90445-08008	B - 7	90480-14101	C - 11	90508-536A9	C - 8	93102-12461	B - 6	95027-08080	F - 11
90385-12036	C - 5	90445-094K7	B - 11	90480-18171	F - 7		G - 2	93102-35318	E - 6	95302-05700	B - 14
90386-12001	C - 5	90445-11730	B - 11	90480-18276	F - 7	90508-556A2	G - 2	93102-35473	E - 6	95304-06600	E - 9
90387-0514T	C - 6	90445-131H1	B - 9	90501-06022	E - 7	90508-556A7	G - 2	93103-32153	B - 4	95307-06600	F - 11
	G - 4	90446-08382	C - 4	90501-06028	B - 9	91A20-05115	D - 7	93103-34181	B - 4		F - 7
90387-0514U	C - 6	90450-35001	B - 8	90501-066J5	E - 7	91A30-03006	B - 9	93109-14021	E - 3	95307-06700	D - 10
	G - 4	90450-53061	B - 10	90501-083G4	B - 9	91A30-03008	B - 9	93109-15074	B - 3	95307-08700	D - 10
	G - 5	90460-56073	B - 10	90501-08430	B - 9	91A30-03010	B - 9	93210-06632	B - 3	95307-10600	E - 6
90387-06033	F - 7	90461-05003	C - 12		C - 11	91A30-03012	B - 9	93210-09165	B - 3	95307-10700	D - 4
90387-06036	F - 2	90461-06142	C - 12		C - 4	91A30-05048	B - 9	93210-12131	E - 8	95314-14600	D - 3
90387-06043	D - 10	90461-10148	C - 12		D - 7	91A30-05085	C - 11	93210-191A1	B - 9	95317-12600	D - 2
90387-0608T	E - 8	90461-12001	C - 4	90501-08486	B - 11	91A30-07010	B - 9	93210-19123	B - 2		D - 3
90387-0611K	F - 2	90462-05059	C - 12		B - 9	91314-08035	D - 2	93210-25071	E - 7	95604-08200	D - 2
90387-062M9	E - 10	90462-08016	F - 11		C - 11	91316-06022	D - 9	93210-41041	D - 7	95607-04100	E - 8
90387-06241	E - 10	90462-08237	B - 9	90501-085L6	B - 11	91317-05014	F - 3	93306-00004	B - 6	95607-05200	C - 6
90387-063G3	C - 11	90462-08239	B - 10	90501-085L7	B - 11	91317-05016	B - 3	93306-00106	B - 6		G - 4
	F - 9	90464-06253	B - 3	90501-08668	D - 7	91317-06020	F - 9	93306-00444	D - 14		G - 5
90387-06605	E - 8	90464-12045	F - 10	90501-120L7	B - 3	91317-06040	F - 9	93306-20402	E - 6	95607-06100	E - 11
90387-06681	E - 11	90464-13073	C - 11	90501-12002	B - 7	91401-20020	C - 15	93306-20589	E - 5	95607-06200	E - 8
90387-0714B	F - 9		F - 10	90501-144L4	B - 7	91401-25020	D - 4	93306-20592	E - 6		E - 9
90387-08015	C - 13		F - 11	90501-326J6	E - 7	91401-30025	D - 14	93306-20722	B - 4		F - 13
90387-081M9	D - 10	90464-13077	F - 10	90501-551L3	F - 15	91490-20015	D - 10	93306-20723	B - 4		F - 9
90387-0811L	C - 5	90464-15195	F - 10	90501-551L9	F - 15	91609-30010	B - 4	93310-32009	B - 4	95607-08200	C - 13
90387-083G6	E - 3		F - 9	90501-552L5	G - 2		D - 12	93310-5270A	B - 4		D - 14
90387-084R5	D - 10	90465-12011	F - 3	90501-581L5	F - 15	91609-40022	E - 8	93315-21227	E - 6		D - 3
90387-087L3	D - 3	90467-07055	B - 9	90501-581L6	F - 15	91609-50022	E - 8	93315-21454	E - 3		E - 2
90387-090R0	D - 4	90467-08092	F - 11	90501-582L1	F - 15	91609-50032	C - 6	93315-21455	E - 3	95607-10100	D - 15

NUMERICAL INDEX

PART NO.	GRID NO.	PART NO.	GRID NO.	PART NO.	GRID NO.	PART NO.	GRID NO.	PART NO.	GRID NO.	PART NO.	GRID NO.
95607-10100	E - 3	95814-06025	B - 6	98507-05010	F - 9						
95607-10200	C - 15	95817-06016	B - 7	98507-06012	C - 4						
	D - 13	95817-06020	B - 6	98507-06014	F - 10						
	D - 15	95817-06035	E - 8	98507-06030	F - 3						
	D - 2	95817-08025	C - 10	98702-04014	B - 15						
	D - 3	95817-08080	C - 4	98702-05008	B - 15						
	E - 4	95817-10025	D - 15	98706-04012	D - 9						
95607-12200	D - 3	95817-10085	D - 13	98907-04016	E - 8						
	D - 5	95827-06012	B - 6	98907-05008	D - 7						
95607-14200	D - 14	95827-06014	C - 5	98907-06012	F - 2						
95617-08630	C - 8	95827-06016	D - 6	98907-06014	E - 13						
9570M-08300	C - 15	95827-06025	C - 11	98907-06020	E - 13						
95707-05300	D - 9		E - 8	98907-06025	F - 9						
	F - 12	95827-06040	E - 8	99001-04600	F - 8						
95707-05500	F - 10	95827-08016	D - 6	99001-06600	B - 3						
	F - 12		E - 15	99009-12400	E - 6						
95707-06300	D - 15	95827-08030	E - 6		E - 8						
95707-06500	B - 11	95827-08040	C - 4	99009-20400	D - 14						
	C - 3	95827-08220	E - 2	99009-25400	D - 14						
	C - 5	95827-10025	C - 10		D - 2						
	F - 10	95827-10060	E - 6	99009-28500	B - 6						
	F - 9	95827-10065	C - 14	99009-42500	D - 14						
95707-08300	B - 9	97007-05020	F - 10	99009-52500	E - 6						
	C - 15	97007-06010	F - 10	99530-10114	B - 2						
	D - 4	97007-06025	D - 15	99530-12016	C - 4						
	D - 7	97007-06030	F - 9	99530-14016	B - 2						
	D - 8	97007-08014	E - 7								
	F - 10	97017-06025	B - 10								
95707-08500	C - 13	97017-06030	C - 6								
	C - 8		G - 4								
	D - 10	9702M-08055	C - 15								
	D - 15	9702M-08100	C - 15								
95707-10300	D - 14	97027-06020	B - 7								
	D - 4	97027-08035	C - 5								
95707-10500	B - 2	97027-08055	C - 15								
	C - 10		D - 4								
	C - 14	97027-08100	C - 15								
	D - 4	97027-10025	E - 4								
95807-06012	B - 7	97602-04116	B - 15								
95807-06014	F - 11	97602-05110	B - 15								
95807-06016	E - 10	97605-04110	B - 15								
	E - 11	97707-30614	F - 8								
	E - 15	97707-50012	E - 13								
	F - 6	97707-50016	F - 5								
95807-06020	F - 9	98501-04014	B - 14								
95807-08020	C - 13	98502-04010	B - 14								
95807-08025	B - 6	98502-05012	B - 15								
95807-08035	C - 13	98507-03006	B - 10								

CONTENTS

ENGINE

CYLINDER HEAD	B2
CRANKSHAFT. PISTON	B4
WATER PUMP	B6
RADIATOR. HOSE	B7
OIL PUMP	B9
INTAKE	B10
CARBURETOR	B12
EXHAUST	C3
CRANKCASE	C4
STARTER	C5

DRIVE

PRIMARY SHEAVE	C6
SECONDARY SHEAVE	C8

BODY

ENGINE BRACKET	C10
OIL TANK	C11
FRAME	C12
SKI	C15
STEERING	D4
STEERING GATE	D6
FUEL TANK	D7
SEAT	D8
BRAKE	D9
CONTROL CABLE	D12
TRACK SUSPENSION 1	D13
TRACK SUSPENSION 2	D15
TRACK DRIVE 1	E5
TRACK DRIVE 2	E6
SHROUD	E10
EMBLEM	E12
WINDSHIELD	E13

GUARD. LUGGAGE BOX	E14
BUMPER	E15
INSTRUMENT PANEL	F2

ELECTRICAL

GENERATOR	F3
STARTING MOTOR	F4
METER	F5
HEADLIGHT	F6
TAILLIGHT	F7
HANDLE SWITCH. LEVER	F8
ELECTRICAL 1	F9
ELECTRICAL 2	F11
ELECTRICAL 3	F12
ALTERNATE (BODY/RIG)	F13
ALTERNATE (REAR SUSPENSION)	F14
ALTERNATE (DRIVE SETTING 1)	F15
ALTERNATE (DRIVE SETTING 2)	G3
ALTERNATE (DRIVE)	G4
ALTERNATE (DRIVE)	G5

INDEX

NUMERICAL INDEX	M1
-----------------------	----