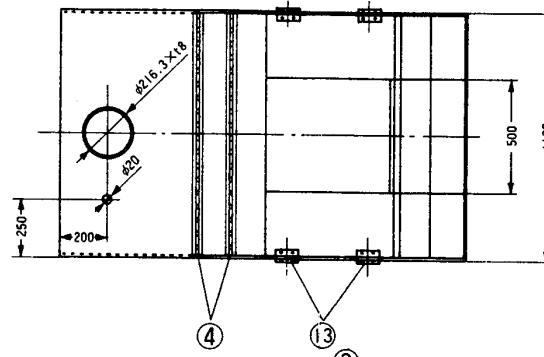
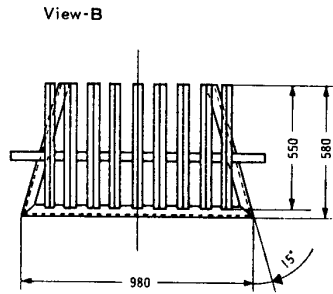
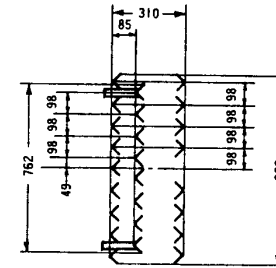


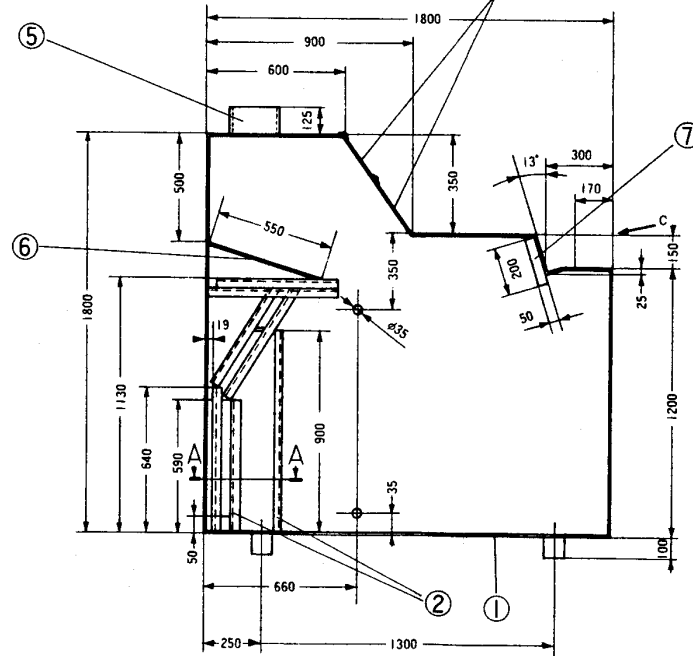
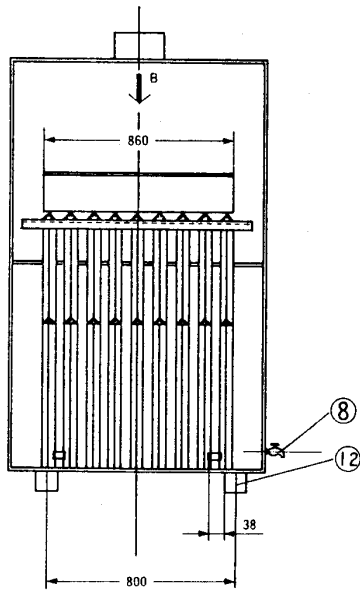
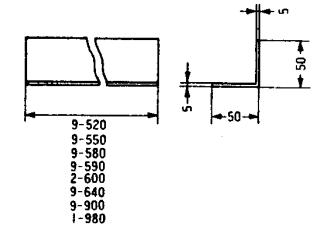
Outboard Motor Test Tank



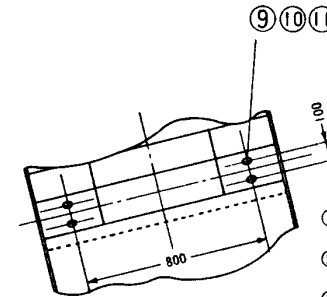
Cross section A-A



Detail of ②



View-C



- ① Body (t4.5, steel)
- ② Shock absorber plate (54-5×50, steel)
- ③ Upper cover (2-t3.2, steel)
- ④ Hinge (2-t1.6)
- ⑤ Ventilation pipe ($\phi 216.3 \times t8$)
- ⑥ Partition plate (t4.5)
- ⑦ Transom board (t50, wood)
- ⑧ Drain tap (1")
- ⑨ Bolt (4-M10×80)
- ⑩ Nut (4-M10)
- ⑪ Washer (8-inside dia.8.5, outside dia.18.0)
- ⑫ Paws (4-100×100)
- ⑬ Hinge (4-t1.6)